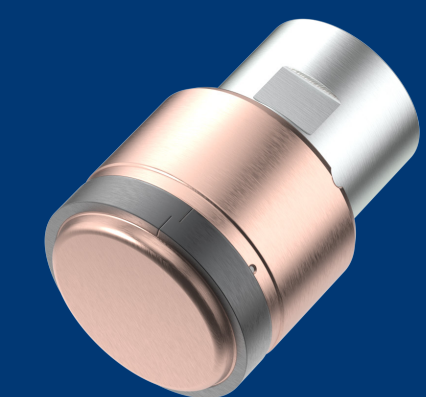


 **Plunger** BY HTS

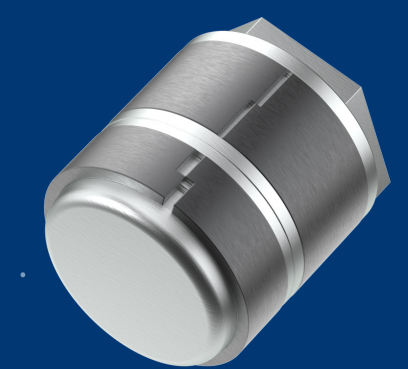
# Data Sheet



 **Plunger** CONDUCTA



 **Plunger** ENDURA



 **Plunger** PERFORMA





# Table of contents

## **Plunger CONDUCTA** **3**

PLUNGER CONDUCTA B: solid without Ring	<b>4</b>
PLUNGER CONDUCTA B-R: with Ring	<b>5</b>
PLUNGER CONDUCTA B-RS: with Ring and Spring Bush	<b>6</b>

## **Plunger ENDURA** **7**

PLUNGER ENDURA B-RS: with Ring and Spring Bush	<b>8</b>
PLUNGER ENDURA T: without Ring	<b>9</b>
PLUNGER ENDURA T-R: with Ring	<b>10</b>
PLUNGER ENDURA T-RS: with Ring and Spring Bush	<b>11</b>

## **Plunger PERFORMA** **12**

PLUNGER PERFORMA T-R: with Ring	<b>13</b>
PLUNGER PERFORMA T-RS:with Ring and Spring Bush	<b>14</b>
PLUNGER PERFORMA T-R/BN: with Ring and Bullet Nose	<b>15</b>





# Plunger CONDUCTA

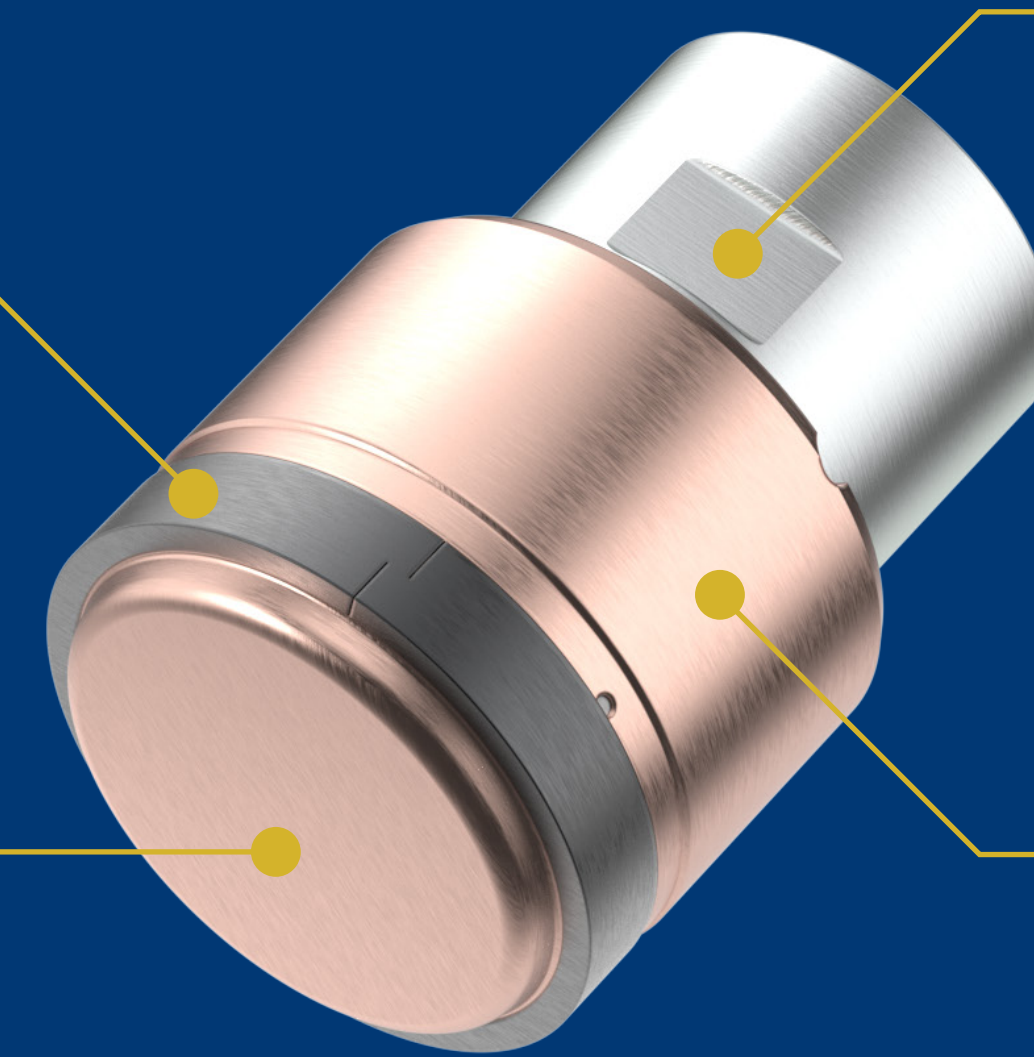
CONDUCTA B

CONDUCTA B-R

CONDUCTA B-RS

**STEEL RING:**  
Opens during injection thanks to its own elasticity and thanks to aluminium penetrating between ring and plunger.

**CuBe BODY**  
The plunger is made out of forged CuBe. Excellent combination of toughness and highest values of heat transfer.



**STAINLESS STEEL HOLDER**  
The plunger is fixed to its holder thanks to a special bayonet locking design.

**STEEL SPRING BUSH**  
Ensures contact plunger/sleeve at the back of the plunger thanks to its own elasticity.

Range Ø40 to Ø260



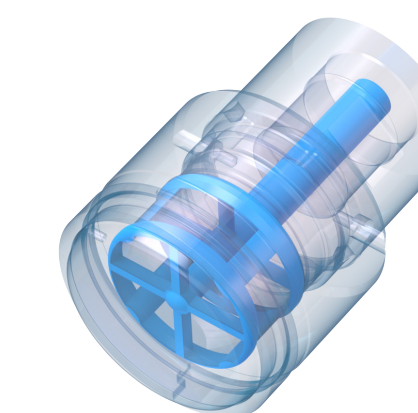
**CONDUCTA**

Ring Plunger is an evolution of the copper bayonet plunger with a better thermal effectiveness and increased durability.



**Vacuum and gliding effect**

CONDUCTA B-RS version includes a spring bush (back ring) which has been specially designed for vacuum systems. Made with softer steel, the spring bush slides easily and doesn't damage the inner surface of the sleeve.

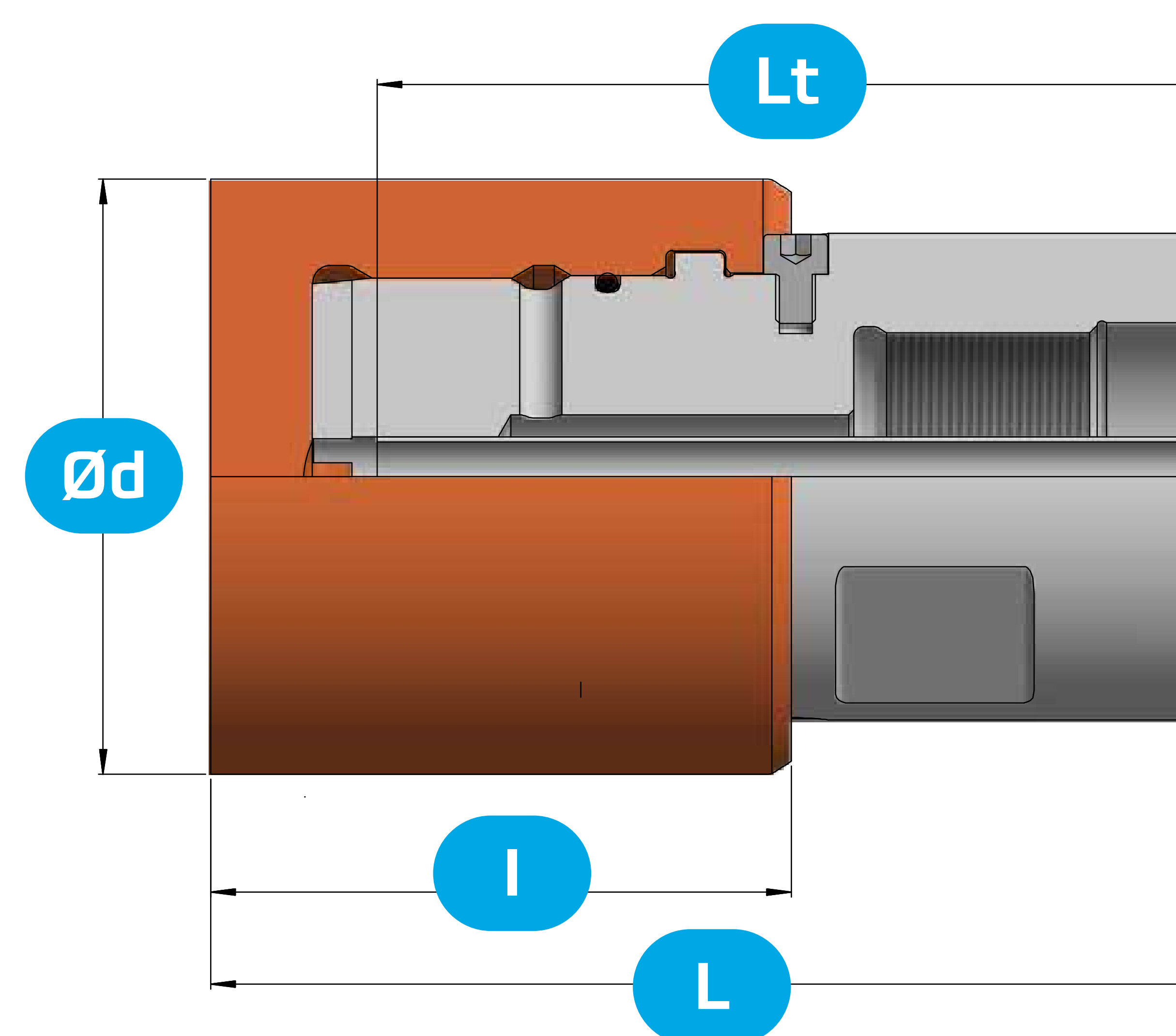


**Good thermal effectiveness and increased durability**



# Plunger CONDUCTA

## B: solid without Ring



### REFERENCE

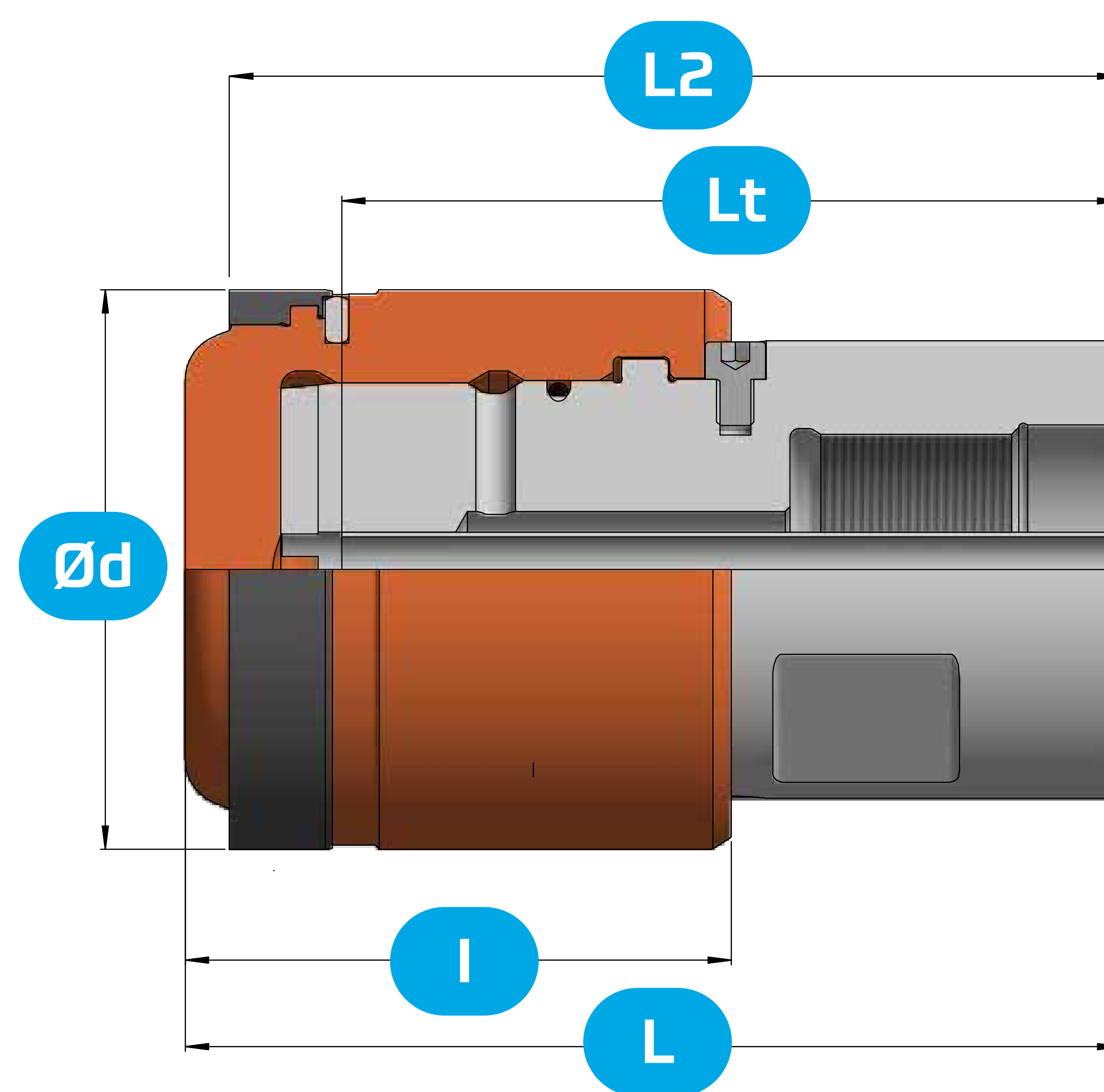
### DIMENSION

TYPE	HOLDER	D	VAC	RING WIDTH	REFERENCE					DIMENSION									
					PISTON	RING	SPRING BUSH	HOLDER	PRESSURE RING	"PISTON L"	"PISTON T x a"	"PISTON M x B"	"PISTON Lt (Tube) -2mm"	"PISTON Qt (Tube)"	RING	SPRING BUSH	HOLDER	"SYSTEM LENGTH L2"	"SYSTEM LENGTH total"
Conducta B	1.0	40		short	KBUF001004001251			TBUF001025100251		72.5			119	6	Ø40/32,5 x 14		Ø39 x 111	125.00	130
Conducta B	1.0	45		short	KBUF001004501251			TBUF001025100251		72.5			119	6	Ø40/32,5 x 14		Ø39 x 111	125.00	130
Conducta B	1.5	50		short	KBUF001505001251			TBUF001530100301		72.5			103	8	Ø50/41,5 x 16		Ø44 x 111	145.00	150
Conducta B	1.5	55		short	KBUF001505501251			TBUF001530100301		72.5			103	8	Ø50/41,5 x 16		Ø44 x 111	145.00	150
Conducta B	2.5	60		short	KBUF002506001251			TBUF002540120301		73			110	10	Ø60/51 x 17		Ø49 x 118	152.00	157
Conducta B	2.5	70		short	KBUF002507001251			TBUF002540120301		73			110	10	Ø60/51 x 17		Ø49 x 118	152.00	157
Conducta B	2.5	75		short	KBUF002507501251			TBUF002540120301		73			110	10	Ø60/51 x 17		Ø49 x 118	152.00	157
Conducta B	3.0	70		short	KBUF003007001251			TBUF003045100301		90			127	12	Ø70/60 x 17		Ø59 x 135	150.00	159
Conducta B	3.0	75		short	KBUF003007501251			TBUF003045100301		90			127	12	Ø70/60 x 17		Ø59 x 135	150.00	159
Conducta B	3.0	80		short	KBUF003008001251			TBUF003045100301		90			127	12	Ø70/60 x 17		Ø59 x 135	150.00	159
Conducta B	3.5	80		short	KBUF003508001251			TBUF003555140351		90			127	12	Ø80/69 x 17,5		Ø69 x 135	150.00	158
Conducta B	3.5	85		short	KBUF003508501251			TBUF003555140351		90			127	12	Ø80/69 x 17,5		Ø69 x 135	150.00	158
Conducta B	3.5	90		short	KBUF003509001251			TBUF003555140351		90			127	12	Ø80/69 x 17,5		Ø69 x 135	150.00	158
Conducta B	3.5	95		short	KBUF003509501251			TBUF003555140351		90			127	12	Ø80/69 x 17,5		Ø69 x 135	150.00	158
Conducta B	3.5	100		short	KBUF003510001251			TBUF003555140351		90			127	12	Ø80/69 x 17,5		Ø69 x 135	150.00	158
Conducta B	4.0	90		short	KBUF004009001251			TBUF004064100421		102			121	16	Ø90/77 x 18,5		Ø79 x 130	142.00	150
Conducta B	4.0	95		short	KBUF004009501251			TBUF004064100421		102			121	16	Ø90/77 x 18,5		Ø79 x 130	142.00	150
Conducta B	4.0	100		short	KBUF004010001251			TBUF004064100421		102			121	16	Ø90/77 x 18,5		Ø79 x 130	142.00	150
Conducta B	4.0	110		short	KBUF004011001251			TBUF004064100421		102			121	16	Ø90/77 x 18,5		Ø79 x 130	142.00	150
Conducta B	4.0	115		short	KBUF004011501251			TBUF004064100421		102			121	16	Ø90/77 x 18,5		Ø79 x 130	142.00	150
Conducta B	4.0	120		short	KBUF004012001251			TBUF004064100421		102			121	16	Ø90/77 x 18,5		Ø79 x 130	142.00	150
Conducta B	4.5	110		short	KBUF004511001251			TBUF004580100601		117			170	16	Ø110/97 x 20		Ø98 x 180	191.00	200
Conducta B	4.5	115		short	KBUF004511501251			TBUF004580100601		117			170	16	Ø110/97 x 20		Ø98 x 180	191.00	200
Conducta B	4.5	120		short	KBUF004512001251			TBUF004580100601		117			170	16	Ø110/97 x 20		Ø98 x 180	191.00	200
Conducta B	4.5	125		short	KBUF004512501251			TBUF004580100601		117			170	16	Ø110/97 x 20		Ø98 x 180	191.00	200
Conducta B	4.5	130		short	KBUF004513001251			TBUF004580100601		117			170	16	Ø110/97 x 20		Ø98 x 180	191.00	200
Conducta B	4.5	140		short	KBUF004514001251			TBUF004580100601		117			170	16	Ø110/97 x 20		Ø98 x 180	191.00	200
Conducta B	5.0	130		short	KBUF005013001251			TBUF005090100601		117			170	16	Ø130/115 x 24		Ø108 x 180	191.00	200
Conducta B	5.0	140		short	KBUF005014001251			TBUF005090100601		117			170	16	Ø130/115 x 24		Ø108 x 180	191.00	200
Conducta B	5.0	150		short	KBUF005015001251			TBUF005090100601		117			170	16	Ø130/115 x 24		Ø108 x 180	191.00	200
Conducta B	6.0	150		short	KBUF006015001251			TBUF060105110651		134			163	18	Ø150/133 x 26		Ø125 x 173	187.00	200
Conducta B	6.0	160		short	KBUF006016001251			TBUF060105110651		134			163	18	Ø150/133 x 26		Ø125 x 173	187.00	200
Conducta B	6.0	170		short	KBUF006017001251			TBUF060105110651		134			163	18	Ø150/133 x 26		Ø125 x 173	187.00	200
Conducta B	7.0	160		short	KBUF007016001251			TBUF070120100651		149.5			170	20	Ø160/143 x 28		Ø145 x 180	190.00	213
Conducta B	7.0	170		short	KBUF007017001251			TBUF070120100651		149.5			170	20	Ø160/143 x 28		Ø145 x 180	190.00	213
Conducta B	7.0	180		short	KBUF007018001251			TBUF070120100651		149.5			170	20	Ø160/143 x 28		Ø145 x 180	190.00	213
Conducta B	7.0	190		short	KBUF007019001251			TBUF070120100651		149.5			170	20	Ø160/143 x 28		Ø145 x 180	190.00	213



# Plunger CONDUCTA

## B-R: with Ring



### REFERENCE

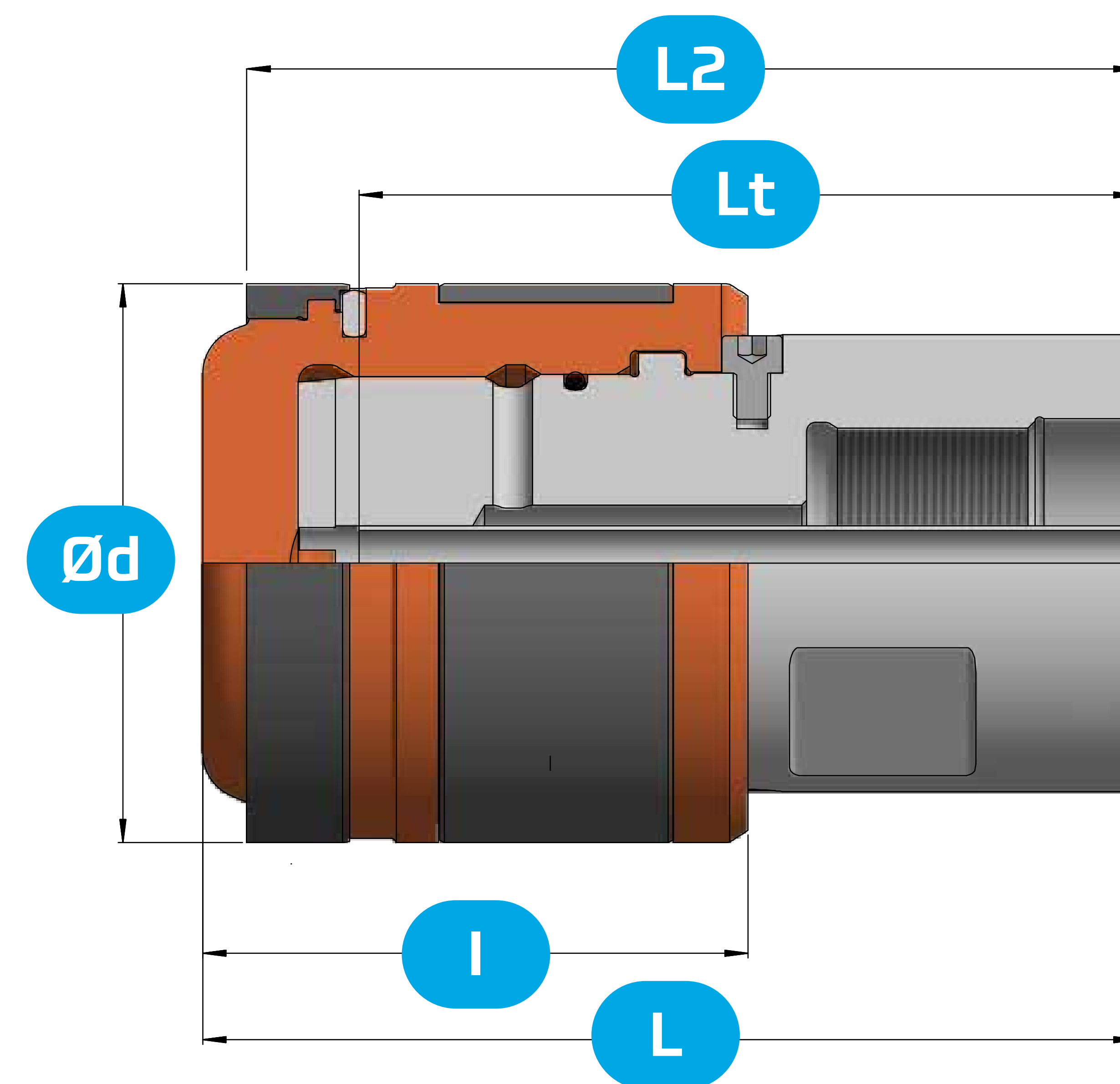
### DIMENSION

TYPE	HOLDER	D	VAC	RING WIDTH	PISTON	RING	SPRING BUSH	HOLDER	PRESSURE RING	"PISTON L"	"PISTON T x a"	"PISTON M x B"	"PISTON Lt (Tube) -2mm"	"PISTON Qt (Tube)"	RING	SPRING BUSH	HOLDER	"SYSTEM LENGTH L2"	"SYSTEM LENGTH total"
Conducta B-R	1.0	40	short		KBUR001004001251	RIUS00403701671		TBUF001025100251		72.5			119	6	Ø40/32,5 x 14		Ø39 x 111	125.00	130
Conducta B-R	1.0	45	short		KBUR001004501251	RIUS00453701671		TBUF001025100251		72.5			119	6	Ø45/37,5 x 14		Ø39 x 111	125.00	130
Conducta B-R	1.5	50	short		KBUR001505001251	RIUS00504201671		TBUF001530100301		72.5			103	8	Ø50/41,5 x 16		Ø44 x 111	145.00	150
Conducta B-R	1.5	55	short		KBUR001505501251	RIUS00554201671		TBUF001530100301		72.5			103	8	Ø55/46,5 x 16		Ø44 x 111	145.00	150
Conducta B-R	2.5	60	short		KBUR002506001251	RIUS00604501671		TBUF002540120301		73			110	10	Ø60/51 x 17		Ø49 x 118	152.00	157
Conducta B-R	2.5	65	short		KBUR002506501251	RIUS00654501671		TBUF002540120301		73			110	10	Ø65/56 x 17		Ø49 x 118	152.00	157
Conducta B-R	2.5	70	short		KBUR002507001251	RIUS00705001671		TBUF002540120301		73			110	10	Ø70/60 x 17		Ø49 x 118	152.00	157
Conducta B-R	2.5	75	short		KBUR002507501251	RIUS00755501671		TBUF002540120301		73			110	10	Ø75/64 x 17,5		Ø49 x 118	152.00	157
Conducta B-R	3.0	70	short		KBUR003007001251	RIUS00705001671		TBUF003045100301		90			127	12	Ø70/60 x 17		Ø59 x 135	150.00	159
Conducta B-R	3.0	75	short		KBUR003007501251	RIUS00755501671		TBUF003045100301		90			127	12	Ø75/64 x 17,5		Ø59 x 135	150.00	159
Conducta B-R	3.0	80	short		KBUR003008001251	RIUS00805501671		TBUF003045100301		90			127	12	Ø80/69 x 17,5		Ø59 x 135	150.00	159
Conducta B-R	3.5	80	short		KBUR003508001251	RIUS00805501671		TBUF003555140351		90			127	12	Ø80/69 x 17,5		Ø69 x 135	150.00	158
Conducta B-R	3.5	85	short		KBUR003508501251	RIUS00855501671		TBUF003555140351		90			127	12	Ø85/74 x 17,5		Ø69 x 135	150.00	158
Conducta B-R	3.5	90	short		KBUR003509001251	RIUS00906501671		TBUF003555140351		90			127	12	Ø90/77 x 18,5		Ø69 x 135	150.00	158
Conducta B-R	3.5	95	short		KBUR003509501251	RIUS00906501671		TBUF003555140351		90			127	12	Ø95/82 x 18,5		Ø69 x 135	150.00	158
Conducta B-R	3.5	100	short		KBUR003510001251	RIUS01006501671		TBUF003555140351		90			127	12	Ø100/87 x 20		Ø69 x 135	150.00	158
Conducta B-R	4.0	90	short		KBUR004009001251	RIUS00906501671		TBUF004064100421		102			121	16	Ø90/77 x 18,5		Ø79 x 130	142.00	150
Conducta B-R	4.0	95	short		KBUR004009501251	RIUS00956501671		TBUF004064100421		102			121	16	Ø95/82 x 18,5		Ø79 x 130	142.00	150
Conducta B-R	4.0	100	short		KBUR004010001251	RIUS01006501671		TBUF004064100421		102			121	16	Ø100/87 x 20		Ø79 x 130	142.00	150
Conducta B-R	4.0	105	short		KBUR004010501251	RIUS01056501671		TBUF004064100421		103			121	16	Ø105/92 x 20		Ø79 x 130	142.00	150
Conducta B-R	4.0	110	short		KBUR004011001251	RIUS01106501671		TBUF004064100421		102			121	16	Ø110/97 x 20		Ø79 x 130	142.00	150
Conducta B-R	4.0	115	short		KBUR004011501251	RIUS01157001671		TBUF004064100421		102			121	16	Ø115/101 x 22		Ø79 x 130	142.00	150
Conducta B-R	4.5	110	short		KBUR004511001251	RIUS01106501671		TBUF004580100601		117			170	16	Ø110/97 x 20		Ø98 x 180	191.00	200
Conducta B-R	4.5	115	short		KBUR004511501251	RIUS01157001671		TBUF004580100601		117			170	16	Ø115/101 x 22		Ø98 x 180	191.00	200
Conducta B-R	4.5	120	short		KBUR004512001251	RIUS01207501671		TBUF004580100601		117			170	16	Ø120/105 x 22		Ø98 x 180	191.00	200
Conducta B-R	4.5	125	short		KBUR004512501251	RIUS01257501671		TBUF004580100601		117			170	16	Ø125/110 x 22		Ø98 x 180	191.00	200
Conducta B-R	4.5	130	short		KBUR004513001251	RIUS01307501671		TBUF004580100601		117			170	16	Ø130/115 x 24		Ø98 x 180	191.00	200
Conducta B-R	4.5	140	short		KBUR004514001251	RIUS01407501671		TBUF004580100601		117			170	16	Ø140/125 x 24		Ø98 x 180	191.00	200
Conducta B-R	5.0	130	short		KBUR005013001251	RIUS01307501671		TBUF005090100601		117			170	16	Ø130/115 x 24		Ø108 x 180	191.00	200
Conducta B-R	5.0	140	short		KBUR005014001251	RIUS01407501671		TBUF005090100601		177			170	16	Ø140/125 x 24		Ø108 x 180	191.00	200
Conducta B-R	5.0	150	short		KBUR005015001251	RIUS01508501671		TBUF005090100601		117			170	16	Ø150/133 x 26		Ø108 x 180	191.00	200
Conducta B-R	6.0	150	short		KBUR006015001251	RIUS01508501671		TBUF060105110651		134			163	18	Ø150/133 x 26		Ø125 x 173	187.00	200
Conducta B-R	6.0	160	short		KBUR006016001251	RIUS01608501671		TBUF060105110651		134			163	18	Ø160/143 x 28		Ø125 x 173	187.00	200
Conducta B-R	6.0	170	short		KBUR006017001251	RIUS01701001671		TBUF060105110651		134			163	18	Ø170/150 x 30		Ø125 x 173	187.00	200
Conducta B-R	7.0	160	short		KBUR007016001251	RIUS01608501671		TBUF070120100651		149.5			170	20	Ø160/143 x 28		Ø145 x 180	190.00	213
Conducta B-R	7.0	170	short		KBUR007017001251	RIUS01701001671		TBUF070120100651		149.5			170	20	Ø170/150 x 30		Ø145 x 180	190.00	213
Conducta B-R	7.0	180	short		KBUR007018001251	RIUS01801001671		TBUF070120100651		149.5			170	20	Ø180/160 x 32		Ø145 x 180	190.00	213
Conducta B-R	7.0	190	short		KBUR007019001251	RIUS01901101671		TBUF070120100651		149.5			170	20	Ø190/168 x 32		Ø145 x 180	190.00	213
Conducta B-R	8.0	200	short		KBUR008020001251	RIUS02001101671		TBUF080140100651		149.5			170	20	Ø200/180 x 32		Ø145 x 180	190.00	213
Conducta B-R	9.0	210	short		KBUR009021001521	RIUS02101001671		TBUF090145100851		149.5			245	25	Ø210/190 x 32		Ø185 x 262	272.00	295
Conducta B-R	9.0	220	short		KBUR009022001521	RIUS02201001671		TBUF090145100851		149.5			245	25	Ø220/200 x 33		Ø185 x 262	272.00	295
Conducta B-R	10.0	230	short		KBUR010023001521	RIUS02301001671		TBUF100160101001		149.5			245	25	Ø230/210 x 33		Ø200 x 260	272.00	295
Conducta B-R	10.0	240	short		KBUR010024001521	RIUS02401001671		TBUF100160101001		149.5			245	25	Ø240/220 x 33		Ø200 x 260	272.00	295
Conducta B-R	11.0	250	short		KBUR011025001521	RIUS02501101671		TBUF110170101201		149.5			265	30	Ø250/228 x 35		Ø220 x 284	296.00	319
Conducta B-R	11.0	260	short		KBUR011026001521	RIUS02601101671		TBUF110170101201		149.5			265	30	Ø260/238 x 35		Ø220 x 284	296.00	319





# B-RS: with Ring and Spring Bush



## REFERENCE

## DIMENSION

TYPE	HOLDER	D	VAC	RING WIDTH	PISTON	RING	SPRING BUSH	HOLDER	PRESSURE RING	"PISTON L"	"PISTON T x a"	"PISTON M x B"	"PISTON Lt (Tube) -2mm"	"PISTON Qt (Tube)"	RING	SPRING BUSH	HOLDER	"SYSTEM LENGTH L2"	"SYSTEM LENGTH total"
Conducta B	1.0	40		short	KBUF001004001251			TBUF001025100251		72.5			119	6	Ø40/32,5 x 14		Ø39 x 111	125.00	130
Conducta B	1.0	45		short	KBUF001004501251			TBUF001025100251		72.5			119	6	Ø40/32,5 x 14		Ø39 x 111	125.00	130
Conducta B	1.5	50		short	KBUF001505001251			TBUF001530100301		72.5			103	8	Ø50/41,5 x 16		Ø44 x 111	145.00	150
Conducta B	1.5	55		short	KBUF001505501251			TBUF001530100301		72.5			103	8	Ø50/41,5 x 16		Ø44 x 111	145.00	150
Conducta B	2.5	60		short	KBUF002506001251			TBUF002540120301		73			110	10	Ø60/51 x 17		Ø49 x 118	152.00	157
Conducta B	2.5	70		short	KBUF002507001251			TBUF002540120301		73			110	10	Ø60/51 x 17		Ø49 x 118	152.00	157
Conducta B	2.5	75		short	KBUF002507501251			TBUF002540120301		73			110	10	Ø60/51 x 17		Ø49 x 118	152.00	157
Conducta B	3.0	70		short	KBUF003007001251			TBUF003045100301		90			127	12	Ø70/60 x 17		Ø59 x 135	150.00	159
Conducta B	3.0	75		short	KBUF003007501251			TBUF003045100301		90			127	12	Ø70/60 x 17		Ø59 x 135	150.00	159
Conducta B	3.0	80		short	KBUF003008001251			TBUF003045100301		90			127	12	Ø70/60 x 17		Ø59 x 135	150.00	159
Conducta B	3.5	80		short	KBUF003508001251			TBUF003555140351		90			127	12	Ø80/69 x 17,5		Ø69 x 135	150.00	158
Conducta B	3.5	85		short	KBUF003508501251			TBUF003555140351		90			127	12	Ø80/69 x 17,5		Ø69 x 135	150.00	158
Conducta B	3.5	90		short	KBUF003509001251			TBUF003555140351		90			127	12	Ø80/69 x 17,5		Ø69 x 135	150.00	158
Conducta B	3.5	95		short	KBUF003509501251			TBUF003555140351		90			127	12	Ø80/69 x 17,5		Ø69 x 135	150.00	158
Conducta B	3.5	100		short	KBUF003510001251			TBUF003555140351		90			127	12	Ø80/69 x 17,5		Ø69 x 135	150.00	158
Conducta B	4.0	90		short	KBUF004009001251			TBUF004064100421		102			121	16	Ø90/77 x 18,5		Ø79 x 130	142.00	150
Conducta B	4.0	95		short	KBUF004009501251			TBUF004064100421		102			121	16	Ø90/77 x 18,5		Ø79 x 130	142.00	150
Conducta B	4.0	100		short	KBUF004010001251			TBUF004064100421		102			121	16	Ø90/77 x 18,5		Ø79 x 130	142.00	150
Conducta B	4.0	110		short	KBUF004011001251			TBUF004064100421		102			121	16	Ø90/77 x 18,5		Ø79 x 130	142.00	150
Conducta B	4.0	115		short	KBUF004011501251			TBUF004064100421		102			121	16	Ø90/77 x 18,5		Ø79 x 130	142.00	150
Conducta B	4.0	120		short	KBUF004012001251			TBUF004064100421		102			121	16	Ø90/77 x 18,5		Ø79 x 130	142.00	150
Conducta B	4.5	110		short	KBUF004511001251			TBUF004580100601		117			170	16	Ø110/97 x 20		Ø98 x 180	191.00	200
Conducta B	4.5	115		short	KBUF004511501251			TBUF004580100601		117			170	16	Ø110/97 x 20		Ø98 x 180	191.00	200
Conducta B	4.5	120		short	KBUF004512001251			TBUF004580100601		117			170	16	Ø110/97 x 20		Ø98 x 180	191.00	200
Conducta B	4.5	125		short	KBUF004512501251			TBUF004580100601		117			170	16	Ø110/97 x 20		Ø98 x 180	191.00	200
Conducta B	4.5	130		short	KBUF004513001251			TBUF004580100601		117			170	16	Ø110/97 x 20		Ø98 x 180	191.00	200
Conducta B	4.5	140		short	KBUF004514001251			TBUF004580100601		117			170	16	Ø110/97 x 20		Ø98 x 180	191.00	200
Conducta B	5.0	130		short	KBUF005013001251			TBUF005090100601		117			170	16	Ø130/115 x 24		Ø108 x 180	191.00	200
Conducta B	5.0	140		short	KBUF005014001251			TBUF005090100601		117			170	16	Ø130/115 x 24		Ø108 x 180	191.00	200
Conducta B	5.0	150		short	KBUF005015001251			TBUF005090100601		117			170	16	Ø130/115 x 24		Ø108 x 180	191.00	200
Conducta B	6.0	150		short	KBUF006015001251			TBUF060105110651		134			163	18	Ø150/133 x 26		Ø125 x 173	187.00	200
Conducta B	6.0	160		short	KBUF006016001251			TBUF060105110651		134			163	18	Ø150/133 x 26		Ø125 x 173	187.00	200
Conducta B	6.0	170		short	KBUF006017001251			TBUF060105110651		134			163	18	Ø150/133 x 26		Ø125 x 173	187.00	200
Conducta B	7.0	160		short	KBUF007016001251			TBUF070120100651		149.5			170	20	Ø160/143 x 28		Ø145 x 180	190.00	213
Conducta B	7.0	170		short	KBUF007017001251			TBUF070120100651		149.5			170	20	Ø160/143 x 28		Ø145 x 180	190.00	213
Conducta B	7.0	180		short	KBUF007018001251			TBUF070120100651		149.5			170	20	Ø160/143 x 28		Ø145 x 180	190.00	213
Conducta B	7.0	190		short	KBUF007019001251			TBUF070120100651		149.5			170	20	Ø160/143 x 28		Ø145 x 180	190.00	213



# Plunger ENDURA

ENDURA B-RS

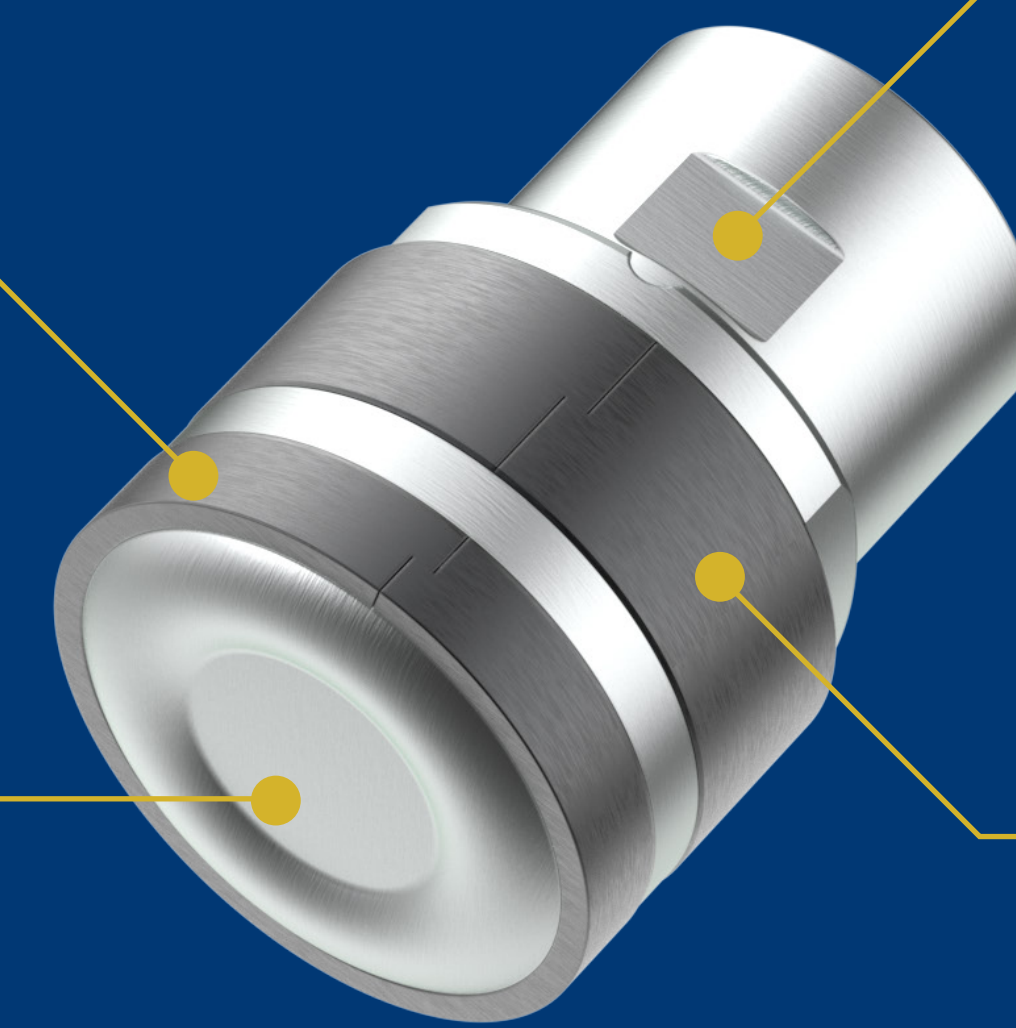
ENDURA T

ENDURA T-R

ENDURA T-RS

**STEEL RING:**  
Opens during injection thanks to its own elasticity and thanks to aluminium penetrating between ring and plunger.

**HOT WORK STEEL BODY**  
The plunger is made with a Hot work steel that is widely used in hot work tooling applications. Excellent combination of high toughness and resistance to thermal fatigue cracking (also known as heat checking).



**STAINLESS STEEL HOLDER**  
The plunger is fixed to its holder thanks to a special bayonet locking design.

**STEEL SPRING BUSH**  
Ensures contact plunger/sleeve at the back of the plunger thanks to its own elasticity.

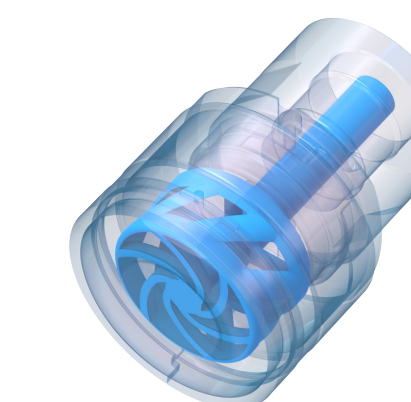
Range Ø50 to Ø260



**ENDURA**  
Ring Plunger is an evolution of the copper bayonet plunger with a better thermal effectiveness and increased durability.



**Vacuum and gliding effect**  
ENDURA B-RS version includes a spring bush (back ring) which has been specially designed for vacuum systems. Made with softer steel, the spring bush slides easily and doesn't damage the inner surface of the sleeve.

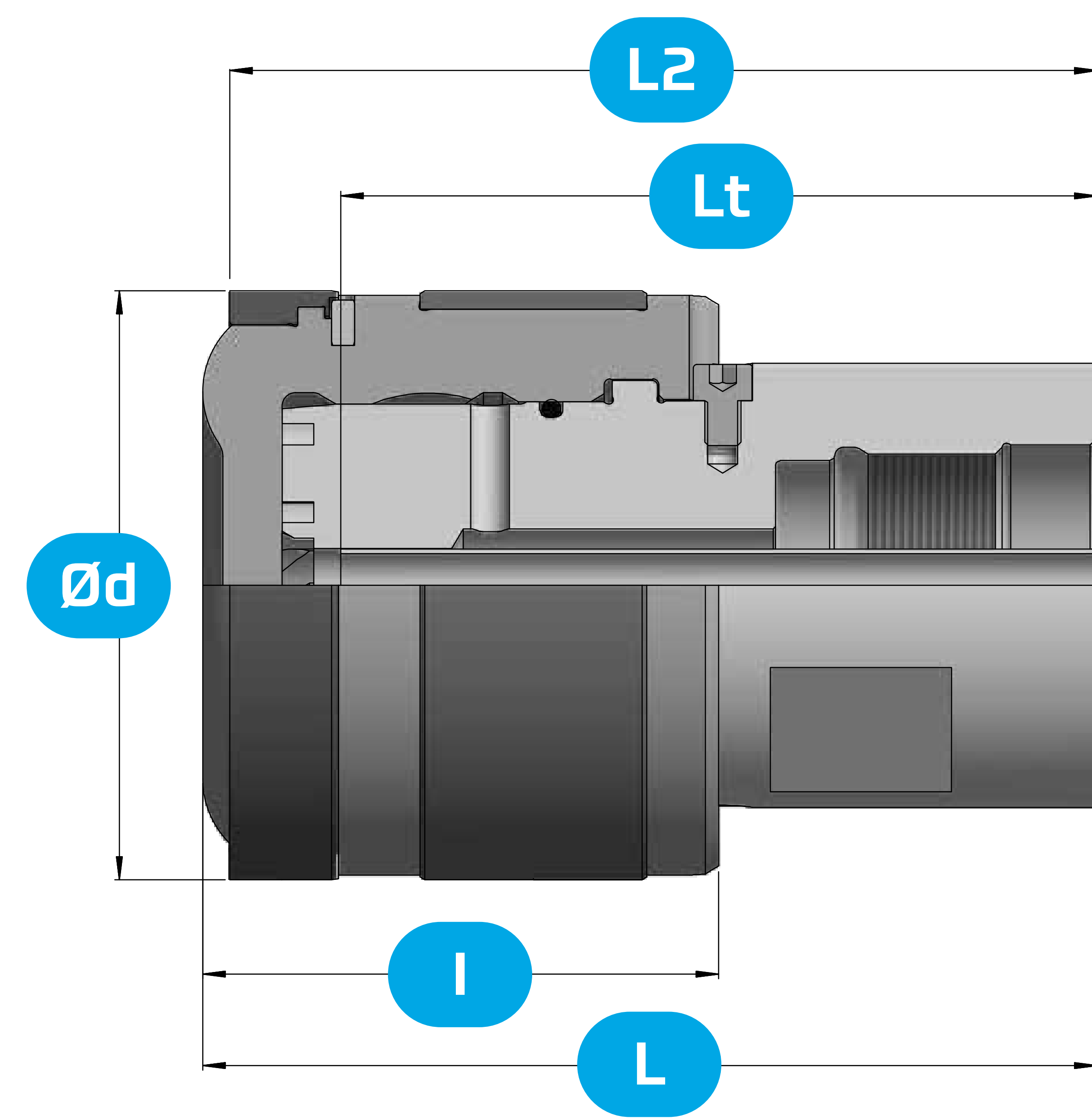


**Good thermal effectiveness and increased durability**



# Plunger ENDURA

## B-RS: with Ring and Spring Bush



### REFERENCE

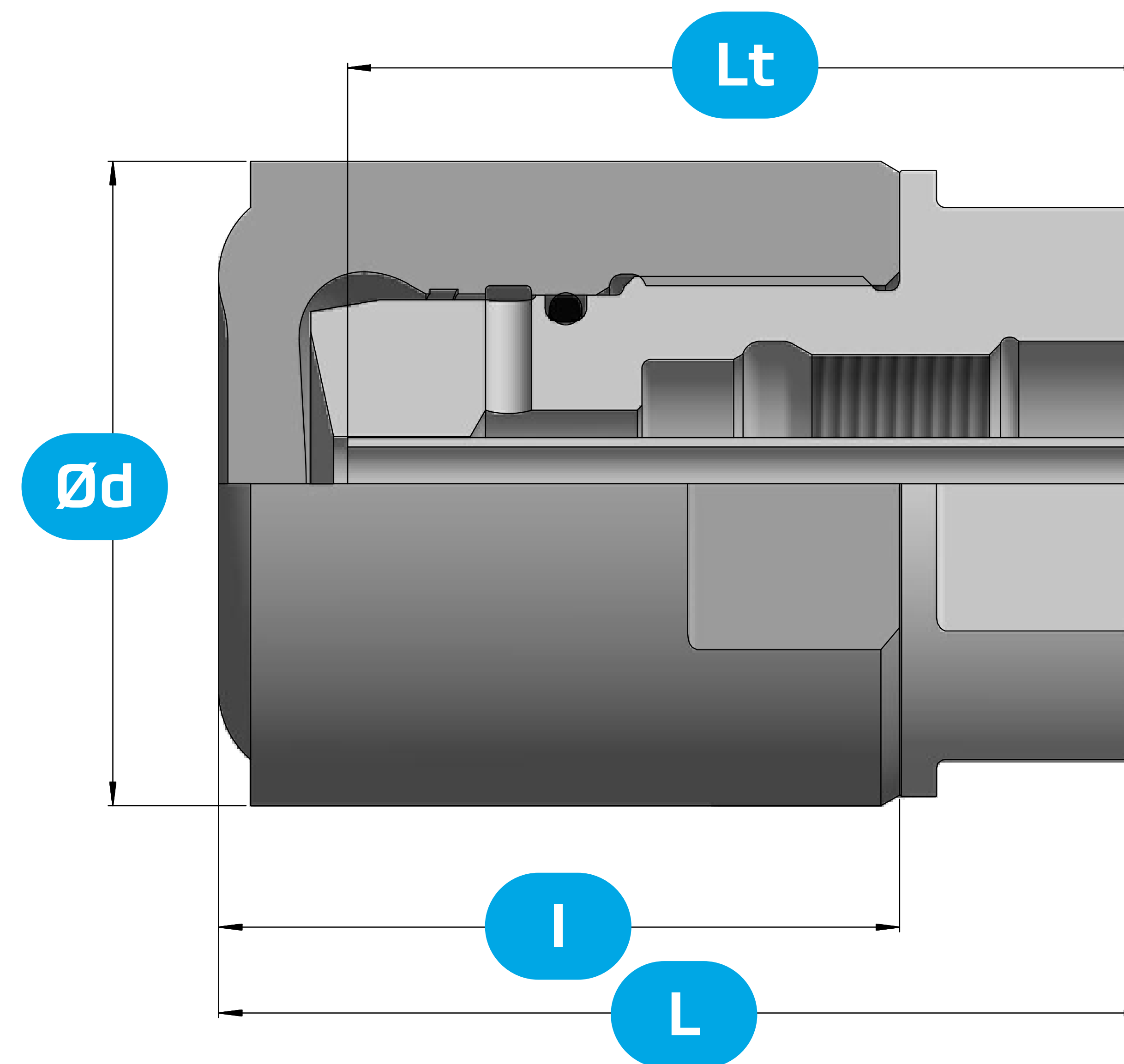
### DIMENSION

TYPE	HOLDER	D	VAC	RING WIDTH	REFERENCE					DIMENSION										
					PISTON	RING	SPRING BUSH	HOLDER	PRESSURE RING	"PISTON L"	"PISTON T x a"	"PISTON M x B"	"PISTON Lt (Tube) -2mm"	"PISTON Qt (Tube)"	RING	SPRING BUSH	HOLDER	"SYSTEM LENGTH L2"	"SYSTEM LENGTH total"	
Endura B-RS	1.0	45	Vac	short	KDURSO1004501471	RIUS004503701671	DRUF045039025201	TDUF010025100251	TGUZ04503517	60				105	6	Ø45/37,5 x 14	Ø45/39 x 25	Ø42 x 111	116.00	118
Endura B-RS	1.5	50	Vac	short	KDURSO1505001471	RIUS005004201671	DRUF050044025201	TDUF015030110301	TGUZ05003517					109	8	Ø50/41,5 x 16	Ø50/44 x 25	Ø48 x 115	121.00	123
Endura B-RS	1.5	55	Vac	short	KDURSO1505501471	RIUS005504201671	DRUF055049025201	TDUF015030110301	TGUZ05003517					109	8	Ø55/46,5 x 16	Ø55/49 x 25	Ø48 x 115	121.00	123
Endura B-RS	2.5	60	Vac	short	KDURSO2506001471	RIUS006004501671	DRUF060054 03020 1	TDUF025040100301						116	10	Ø60/51 x 17	Ø60/54 x 30	Ø58 x 123	128.00	131
Endura B-RS	2.5	65	Vac	short	KDURSO2506501471	RIUS006504201671	DRUF065059030201	TDUF025040100301						116	10	Ø65/56 x 17	Ø65/59 x 30	Ø58 x 123	128.00	131
Endura B-RS	2.5	70	Vac	short	KDURSO2507001471	RIUS007005001671	DRUF070064030201	TDUF025040100301						116	12	Ø70/60 x 17	Ø70/64 x 30	Ø58 x 123	128.00	131
Endura B-RS	3.0	75	Vac	short	KDURSO3007501471	RIUS007505501671	DRUF075069040201	TDUF030045110351						136	12	Ø75/64 x 17,5	Ø75/69 x 40	Ø70 x 144	149.00	153
Endura B-RS	3.0	80	Vac	short	KDURSO3008001471	RIUS008005501671	DRUF080074040201	TDUF030045110351						136	12	Ø80/69 x 17,5	Ø80/74 x 40	Ø70 x 144	149.00	153
Endura B-RS	3.5	85	Vac	short	KDURSO3508501471	RIUS008505501671	DRUF085079040201	TDUF035055110351						136	12	Ø85/74 x 17,5	Ø85/79 x 40	Ø79 x 143	149.00	153
Endura B-RS	3.5	90	Vac	short	KDURSO3509001471	RIUS009006501671	DRUF090084040201	TDUF035055110351						136	12	Ø90/77 x 18,5	Ø90/84 x 40	Ø79 x 143	149.00	153
Endura B-RS	3.5	95	Vac	short	KDURSO3509501471	RIUS009506501671	DRUF095089040201	TDUF035055110351						136	12	Ø95/82 x 18,5	Ø95/89 x 40	Ø79 x 143	149.00	153
Endura B-RS	4.0	100	Vac	short	KDURSO4010001471	RIUS010006501671	DRUF100092050201	TDUF040064100421						120	16	Ø100/87 x 20	Ø100/92 x 50	Ø79 x 129	137.00	141
Endura B-RS	4.0	105	Vac	short	KDURSO4010501471	RIUS010506501671	DRUF105097050201	TDUF040064100421						120	16	Ø105/92 x 20	Ø105/97 x 50	Ø79 x 129	137.00	141
Endura B-RS	4.0	110	Vac	short	KDURSO4011001471	RIUS011006501671	DRUF110102050201	TDUF040064100421						120	16	Ø110/97 x 20	Ø110/102 x 50	Ø79 x 129	137.00	141
Endura B-RS	4.2	100	Vac	short	KDURSO4210001471	RIUS010006501671	DRUF100092050201	TDUF042070100481						120	16	Ø100/87 x 20	Ø100/92 x 50	Ø89 x 128	137.00	141
Endura B-RS	4.2	105	Vac	short	KDURSO4210501471	RIUS010506501671	DRUF105097050201	TDUF042070100481						120	16	Ø105/92 x 20	Ø105/97 x 50	Ø89 x 128	137.00	141
Endura B-RS	4.2	110	Vac	short	KDURSO4211001471	RIUS011006501671	DRUF110102050201	TDUF042070100481						120	16	Ø110/97 x 20	Ø110/102 x 50	Ø89 x 128	137.00	141
Endura B-RS	4.2	115	Vac	short	KDURSO4211501471	RIUS011507001671	DRUF115107050201	TDUF042070100481						120	16	Ø115/101 x 22	Ø115/107 x 50	Ø89 x 128	137.00	141
Endura B-RS	4.2	120	Vac	short	KDURSO4212001471	RIUS012007501671	DRUF120112050201	TDUF042070100481						120	16	Ø120/105 x 22	Ø120/112 x 50	Ø89 x 128	137.00	141
Endura B-RS	4.2	125	Vac	short	KDURSO4212501471	RIUS012507501671	DRUF125117050201	TDUF042070100481						120	16	Ø125/110 x 22	Ø125/117 x 50	Ø89 x 128	137.00	141
Endura B-RS	4.2	130	Vac	short	KDURSO4213001471	RIUS013007501671	DRUF130122050201	TDUF042070100481						120	16	Ø130/115 x 24	Ø130/122 x 50	Ø89 x 128	137.00	141
Endura B-RS	4.5	115	Vac	short	KDURSO4511501471	RIUS011507001671	DRUF115107050201	TDUF045080100601						170	16	Ø115/101 x 22	Ø115/107 x 50	Ø98 x 179	189.00	193
Endura B-RS	4.5	120	Vac	short	KDURSO4512001471	RIUS012007501671	DRUF120112050201	TDUF045080100601						170	16	Ø120/105 x 22	Ø120/112 x 50	Ø98 x 179	189.00	193
Endura B-RS	4.5	125	Vac	short	KDURSO4512501471	RIUS012507501671	DRUF125117050201	TDUF045080100601						170	16	Ø125/110 x 22	Ø125/117 x 50	Ø98 x 179	189.00	193
Endura B-RS	4.5	130	Vac	short	KDURSO4513001471	RIUS013007501671	DRUF130122050201	TDUF045080100601						170	16	Ø130/115 x 24	Ø130/122 x 50	Ø98 x 179	189.00	193
Endura B-RS	5.0	135	Vac	short	KDURSO5013501471	RIUS013507501671	DRUF135125050201	TDUF050090100601						169	16	Ø135/120 x 24	Ø135/125 x 50	Ø108 x 179	189.00	195
Endura B-RS	5.0	140	Vac	short	KDURSO5014001471	RIUS014007501671	DRUF140130050201	TDUF050090100601						169	16	Ø140/125 x 24	Ø140/130 x 50	Ø108 x 179	189.00	195
Endura B-RS	6.0	150	Vac	short	KDURSO6015001471	RIUS015008501671	DRUF150140050201	TDUF060100110651						166	18	Ø150/133 x 26	Ø150/140 x 50	Ø125 x 178	188.00	194
Endura B-RS	6.0	160	Vac	short	KDURSO6016001471	RIUS016008501671	DRUF160150050201	TDUF060100110651						166	18	Ø160/143 x 28	Ø160/150 x 50	Ø125 x 178	188.00	194
Endura B-RS	7.0	170	Vac	short	KDURSO7017001471	RIUS017010001671	DRUF170158090201	TDUF070120100721						200	20	Ø170/150 x 30	Ø170/158 x 90	Ø145 x 214	227.00	233
Endura B-RS	7.0	180	Vac	short	KDURSO7018001471	RIUS018010002671	DRUF180168090201	TDUF070120100721						200	20	Ø180/160 x 32	Ø180/168 x 90	Ø145 x 214	227.00	233
Endura B-RS	8.0	190	Vac	short	KDURSO8019001471	RIUS019010001671	DRUF190178090201	TDUF080130100721						215	20	Ø190/168 x 32	Ø190/178 x 90	Ø155 x 229	243.00	249
Endura B-RS	8.0	200	Vac	short	KDURSO8020001471	RIUS020011001671	DRUF200188090201	TDUF080130100721						215	20	Ø200/180 x 32	Ø200/188 x 90	Ø155 x 229	243.00	249
Endura B-RS	9.0	210	Vac	short	KDURSO9021001471	RIUS021010001671	DRUF210198090201	TBUF090145100851		185				245	25	Ø210/190 x 32	Ø210/198 x 90	Ø185 x 262	278.00	284
Endura B-RS	9.0	220	Vac	short	KDURSO9022001471	RIUS022010001671	DRUF220208090201	TBUF090145100851		185				245	25	Ø220/200 x 32	Ø220/208 x 90	Ø+T29+T123:T1+T130:T164	278.00	284
Endura B-RS	10.0	230	Vac	short	KDURSO10023001471	RIUS023010001671	DRUF230216100201	TBUF100160101001						245	25	Ø230/210 x 33	Ø230/216 x 100	Ø200 x 260	278.00	284
Endura B-RS	10.0	240	Vac	short	KDURSO10024001471	RIUS024010001671	DRUF240226100201	TBUF100160101001						245	25	Ø240/220 x 33	Ø240/226 x 100	Ø200 x 260	278.00	284
Endura B-RS	11.0	250	Vac	short	KDURSO11025001471	RIUS025011001671	DRUF250236110201	TBUF110170101201						265	30	Ø250/228 x 35	Ø250/236 x 110	Ø220 x 284	304.00	310
Endura B-RS	11.0	260	Vac	short	KDURSO11026001471	RIUS026011001671	DRUF260246110201	TBUF110170101201						265	30	Ø260/238 x 35	Ø260/246 x 110	Ø220 x 284	304.00	310



# Plunger ENDURA

## T: without Ring



### REFERENCE

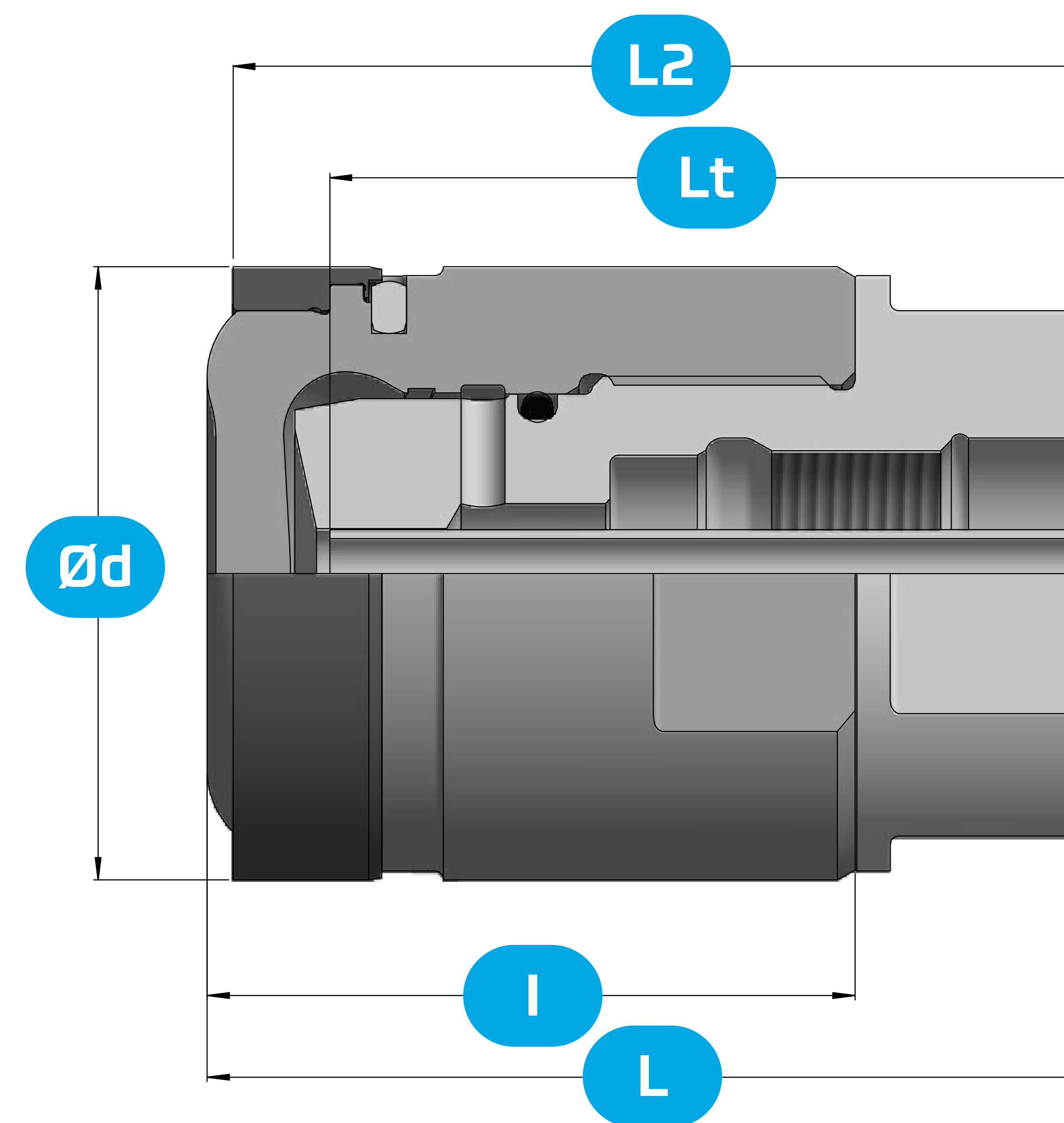
### DIMENSION

TYPE	HOLDER	D	VAC	RING WIDTH	PISTON	RING	SPRING BUSH	HOLDER	PRESSURE RING	"PISTON L"	"PISTON T x a"	"PISTON M x B"	"PISTON Lt (Tube) -2mm"	"PISTON Qt (Tube)"	RING	SPRING BUSH	HOLDER	"SYSTEM LENGTH L2"	"SYSTEM LENGTH total"
Endura T	1.5	50		short	KTUF001505001471			TAUF01530100501		63			79	10			Ø49 x 81	87.00	90
Endura T	1.5	55		short	KTUF001505501471			TAUF01530100551		63			79	10			Ø54 x 81	87.00	90
Endura T	2.5	60		short	KTUF002506001471			TAUF02540100601		74			88	10			Ø58 x 91	98.00	101
Endura T	2.5	65		short	KTUF002506501471			TAUF02540100651		74			88	10			Ø63 x 91	98.00	101
Endura T	2.5	70		short	KTUF002507001471			TAUF02540100701		74			88	10			Ø68 x 91	98.00	101
Endura T	3.2	75		short	KTUF003207501471			TAUF03246100751		85			102	12			Ø73 x 105	113.00	117
Endura T	3.2	80		short	KTUF003208001471			TAUF03246100801		85			102	12			Ø78 x 105	113.00	117
Endura T	3.2	85		short	KTUF003208501471			TAUF03246100851		85			102	12			Ø83 x 105	113.00	117
Endura T	3.2	90		short	KTUF003209001471			TAUF03246100901		85			102	12			Ø88 x 105	113.00	117
Endura T	4.0	95		short	KTUF004009501471			TAUF04065100951		97			112	16			Ø93 x 115	125.00	129
Endura T	4.0	100		short	KTUF004010001471			TAUF04065101001		97			112	16			Ø98 x 115	125.00	129



# Plunger ENDURA

## T-R: with Ring



### REFERENCE

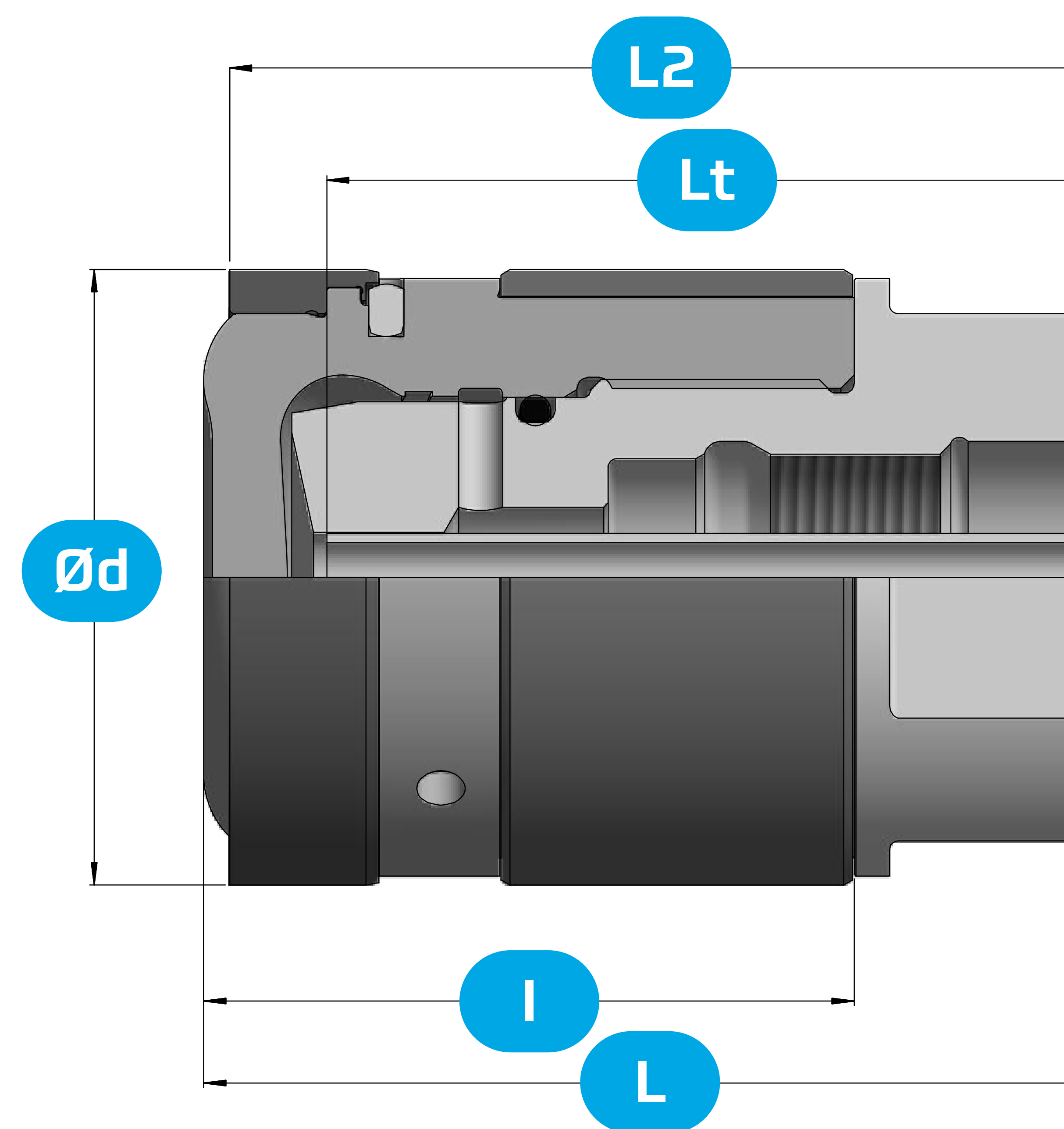
### DIMENSION

TYPE	HOLDER	D	VAC	RING WIDTH	PISTON	RING	SPRING BUSH	HOLDER	PRESSURE RING	"PISTON L"	"PISTON T x a"	"PISTON M x B"	"PISTON Lt (Tube) -2mm"	"PISTON Qt (Tube)"	RING	SPRING BUSH	HOLDER	"SYSTEM LENGTH L2"	"SYSTEM LENGTH total"
Endura T-R	1.5	50		short	KTUR001505001471	RIUS005004201671		TAUF01530100501		63			79	10	Ø50/41,5 x 16		Ø49 x 81	87.00	90
Endura T-R	1.5	55		short	KTUR001505501471	RIUS005504201671		TAUF01530100551		63			79	10	Ø55/46,5 x 16		Ø54 x 81	87.00	90
Endura T-R	2.5	60		short	KTUR002506001471	RIUS006004501671		TAUF02540100601		74			88	10	Ø60/51 x 17		Ø58 x 91	98.00	101
Endura T-R	2.5	65		short	KTUR002506501471	RIUS006505501671		TAUF02540100651		74			88	10	Ø65/56 x 17		Ø63 x 91	98.00	101
Endura T-R	2.5	70		short	KTUR002507001471	RIUS007005501671		TAUF02540100701		74			88	10	Ø70/60 x 17		Ø68 x 91	98.00	101
Endura T-R	3.2	75		short	KTUR003207501471	RIUS007505501671		TAUF03246100751		85			102	12	Ø75/64 x 17,5		Ø73 x 105	113.00	117
Endura T-R	3.2	80		short	KTUR003208001471	RIUS008005501671		TAUF03246100801		85			102	12	Ø80/69 x 17,5		Ø78 x 105	113.00	117
Endura T-R	3.2	85		short	KTUR003208501471	RIUS008506501671		TAUF03246100851		85			102	12	Ø85/74 x 17,5		Ø83 x 105	113.00	117
Endura T-R	3.2	90		short	KTUR003209001471	RIUS009006501671		TAUF03246100901		85			102	12	Ø90/77 x 18,5		Ø88 x 105	113.00	117
Endura T-R	4.0	95		short	KTUR004009501471	RIUS009506501671		TAUF04065100951		97			112	16	Ø95/82 x 18,5		Ø93 x 115	125.00	129
Endura T-R	4.0	100		short	KTUR004010001471	RIUS010006501671		TAUF04065101001		97			112	16	Ø100/87 x 20		Ø98 x 115	125.00	129



# Plunger ENDURA

## T-RS: with Ring and Spring Bush



### REFERENCE

### DIMENSION

TYPE	HOLDER	D	VAC	RING WIDTH	PISTON	RING	SPRING BUSH	HOLDER	PRESSURE RING	"PISTON L"	"PISTON T x a"	"PISTON M x B"	"PISTON Lt (Tube) -2mm"	"PISTON Qt (Tube)"	RING	SPRING BUSH	HOLDER	"SYSTEM LENGTH L2"	"SYSTEM LENGTH total"
Endura T-RS	1.5	50	Vac	short	KTURS01505001471	RIUS005004201671	DRUF050044030201	TAUF01530100501		63			79	10	Ø50/41,5 x 16	Ø50/44 x 30	Ø49 x 81	87.00	90
Endura T-RS	1.5	55	Vac	short	KTURS01505501471	RIUS005504201671	DRUF055049030201	TAUF01530100551		63			79	10	Ø55/46,5 x 16	Ø55/49 x 30	Ø54 x 81	87.00	90
Endura T-RS	2.5	60	Vac	short	KTURS02506001471	RIUS006004501671	DRUF060054040201	TAUF02540100601		74			88	10	Ø60/51 x 17	Ø60/54 x 40	Ø58 x 91	98.00	101
Endura T-RS	2.5	65	Vac	short	KTURS02506501471	RIUS006505501671	DRUF065059040201	TAUF02540100651		74			88	10	Ø65/56 x 17	Ø65/59 x 40	Ø63 x 91	98.00	101
Endura T-RS	2.5	70	Vac	short	KTURS02507001471	RIUS007005501671	DRUF070064040201	TAUF02540100701		74			88	10	Ø70/60 x 17	Ø70/64 x 40	Ø68 x 91	98.00	101
Endura T-RS	3.2	75	Vac	short	KTURS03207501471	RIUS007505501671	DRUF075069040201	TAUF03246100751		85			102	12	Ø75/64 x 17,5	Ø75/69 x 40	Ø73 x 105	113.00	117
Endura T-RS	3.2	80	Vac	short	KTURS03208001471	RIUS008005501671	DRUF080074040201	TAUF03246100801		85			102	12	Ø80/69 x 17,5	Ø80/74 x 40	Ø78 x 105	113.00	117
Endura T-RS	3.2	85	Vac	short	KTURS03208501471	RIUS008506501671	DRUF085079040201	TAUF03246100851		85			102	12	Ø85/74 x 17,5	Ø85/79 x 40	Ø83 x 105	113.00	117
Endura T-RS	3.2	90	Vac	short	KTURS03209001471	RIUS009006501671	DRUF090084040201	TAUF03246100901		85			102	12	Ø90/77 x 18,5	Ø90/84 x 40	Ø88 x 105	113.00	117
Endura T-RS	4.0	95	Vac	short	KTURS04009501471	RIUS009506501671	DRUF095089050201	TAUF04065100951		97			112	16	Ø95/82 x 18,5	Ø95/89 x 50	Ø93 x 115	125.00	129
Endura T-RS	4.0	100	Vac	short	KTURS04010001471	RIUS010006501671	DRUF100092050201	TAUF04065101001		97			112	16	Ø100/87 x 20	Ø100/92 x 50	Ø98 x 115	125.00	129





# Plunger PERFORMA

PERFORMA T-R

PERFORMA T-RS

PERFORMA T-R/BN

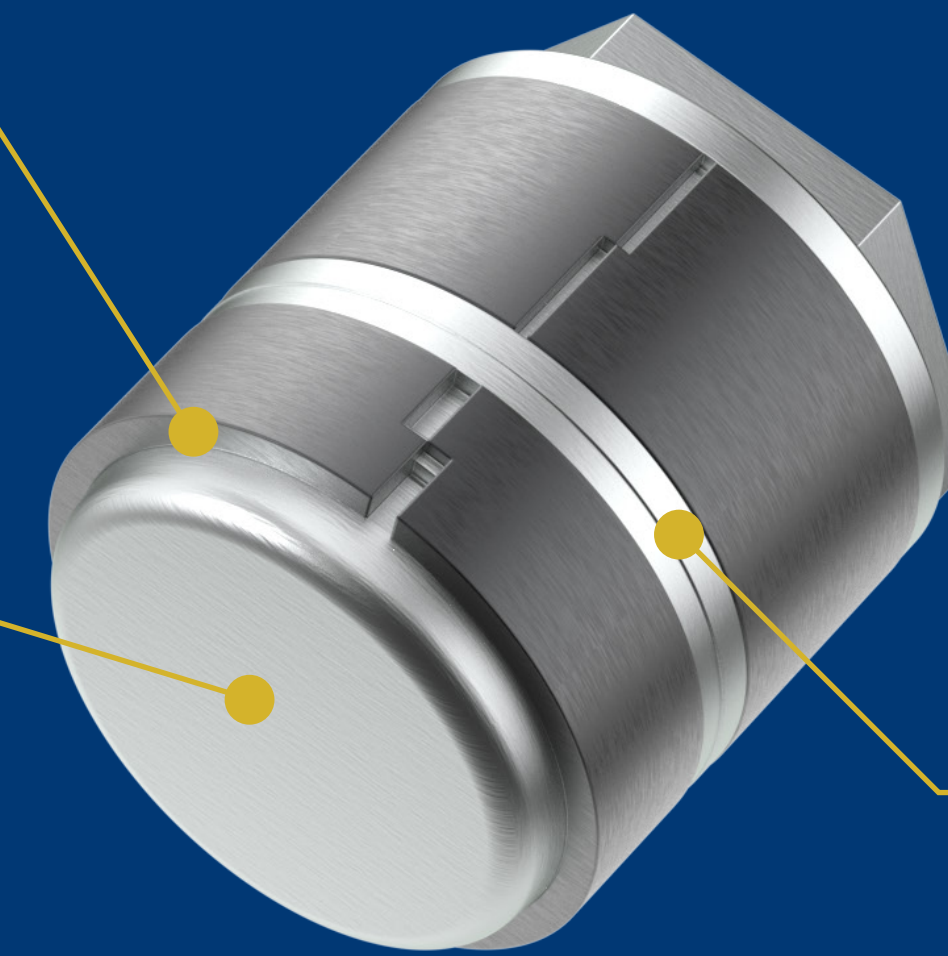
## STEEL RING:

Opens during injection thanks to its own elasticity and thanks to aluminium penetrating between ring and plunger.

## HOT WORK STEEL BODY

the plunger is made with a supreme hot work steel with Additive Manufacturing technology based on Conformal Cooling principles.

Excellent combination of high toughness and resistance to thermal fatigue cracking (also known as heat checking) results in high cooling power >> reduction of cycle time and highest lifetime on the market.



## STEEL SPRING BUSH

Ensures contact plunger/sleeve at the back of the plunger thanks to its own elasticity.

Range Ø40 to Ø260



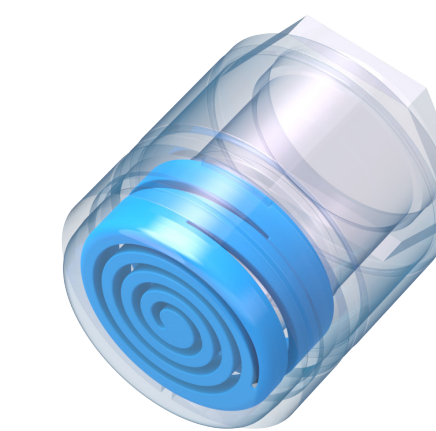
### PERFORMA

Ring Plunger is an evolution of the steel thread plunger with a better thermal effectiveness and increased durability.



### Vacuum and gliding effect

PERFORMA T-RS version includes a spring bush (back ring) which has been specially designed for vacuum systems. Made with softer steel, the spring bush slides easily and doesn't damage the inner surface of the sleeve.

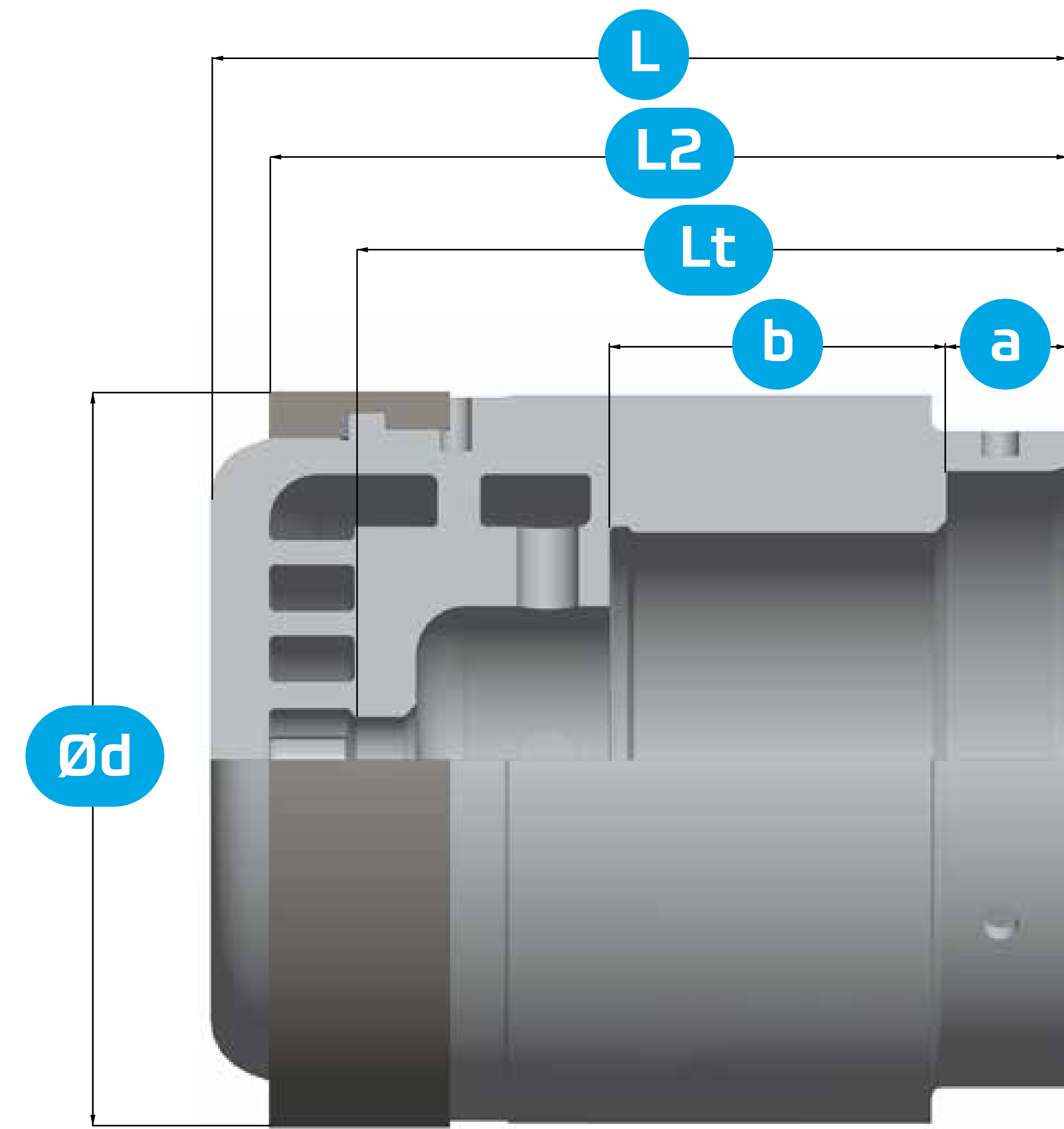


Good thermal effectiveness and increased durability



# Plunger PERFORMA

## T-R: with Ring



### REFERENCE

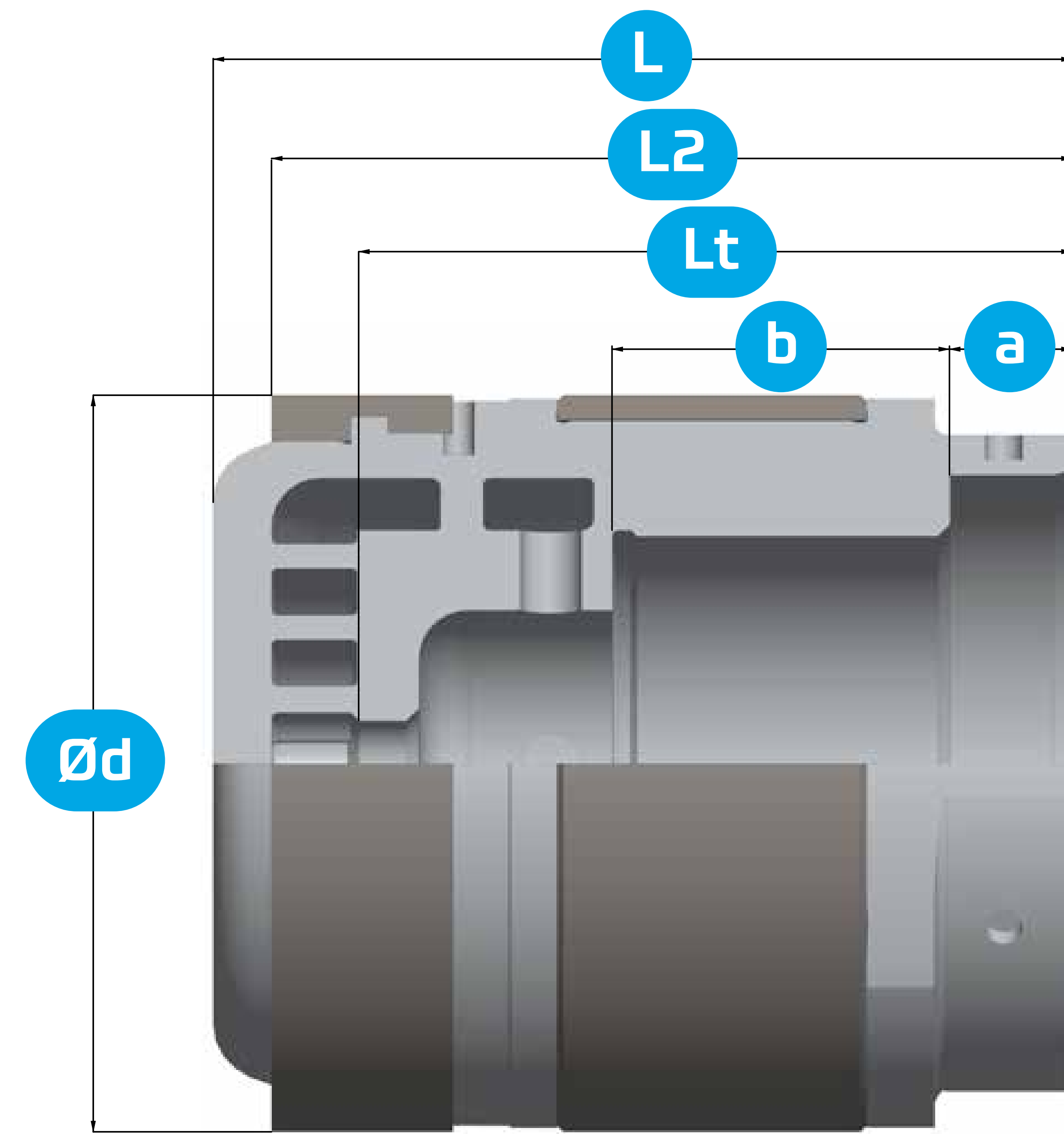
### DIMENSION

TYPE	HOLDER	D	VAC	RING WIDTH	REFERENCE				DIMENSION											
					PISTON	RING	SPRING BUSH	HOLDER	PRESSURE RING	"PISTON L"	"PISTON T x a"	"PISTON M x B"	"PISTON Lt (Tube) -2mm"	"PISTON Qt (Tube)"	RING	SPRING BUSH	HOLDER	"SYSTEM LENGTH L2"	"SYSTEM LENGTH total"	
Performa T-R		2,75"		short	KIIR003607001651	RIUS007000501671					120	49x20	M36x2 x 35	102	12	Ø70/60 x 17			92.50	120
Performa T-R		3"		short	KIIR003607501651	RIUS007500551671					120	49x20	M36x2 x 35	102	12	Ø75/64 x 17,5			92.50	120
Performa T-R		3,25"		short	KIIR004808501651	RIUS008500551671					120	57x20	M48x2 x 35	102	12	Ø85/74 x 17,5			92.50	120
Performa T-R		3,50"		short	KIIR005809001651	RIUS009000651671					120	67x20	M58x2 x 35	102	12	Ø90/77 x 18,5			92.50	120
Performa T-R		3,75"		short	KIIR005809501651	RIUS009500651671					120	67x20	M58x2 x 35	102	12	Ø95/82 x 18,5			92.50	120
Performa T-R		4"		short	KIIR006210501651	RIUS010500651671					125	77x20	M62x2 x 35	102	16	Ø105/92 x 20			92.50	125
Performa T-R		4,25"		short	KIIR007211001651	RIUS011000651671					130	84x20	M72x2 x 45	107	16	Ø110/97 x 20			117.50	130
Performa T-R		4,50"		short	KIIR007211501651	RIUS011500701671					135	84x20	M72x2 x 50	112	16	Ø115/101 x 22			117.50	135
Performa T-R		4,75"		short	KIIR007612001651	RIUS012000751671					140	94x20	M76x2 x 55	116	16	Ø120/105 x 22			130.70	140
Performa T-R		5"		short	KIIR007612501651	RIUS012500751671					145	94x20	M76x2 x 55	116	16	Ø125/110 x 22			143.00	145
Performa T-R		5,25"		short	KIIR008513501651	RIUS013500751671					150	99x20	M85x2 x 55	126	16	Ø135/120 x 24			143.50	150
Performa T-R		5,50"		short	KIIR008514001651	RIUS014000751671					160	99x20	M85x2 x 55	136	16	Ø140/125 x 24			143.50	160
Performa T-R		6"		short	KIIR010515001651	RIUS015000851671					170	116x20	M105x2 x 75	146	16	Ø150/133 x 26			170.00	170
Performa T-R		7"		short	KIIRS12018001651	RIUS018001001671					200	129x22	M120x2 x 85	170	18	Ø180/160 x 32			194.00	200
Performa T-R		7,50"		short	KIIRS12019001651	RIUS019001001671					210	129x22	M120x2 x 85	170	20	Ø190/168 x 32			201.00	210
Performa T-R		9"		short	KIIRS13023001651	RIUS023001001671					250	139x24	M130x2 x 85	190	20	Ø230/210 x 33			241.00	250
Performa T-R		70		wide	KIUR003607001651	REUS007000501671					120	49x20	M36x2 x 35	120	12	Ø70/60 x 23			111.00	120
Performa T-R		75		wide	KIUR003607501651	REUS007500551671					120	49x20	M36x2 x 35	120	12	Ø75/64 x 23,5			111.00	120
Performa T-R		80		wide	KIUR004808001651	REUS008000551671					120	57x20	M48x2 x 35	120	12	Ø80/69 x 23,5			111.00	120
Performa T-R		85		wide	KIUR004808501651	REUS008500551671					120	57x20	M48x2 x 35	120	12	Ø85/74 x 23,5			111.00	120
Performa T-R		90		wide	KIUR005809001651	REUS009000651671					120	67x20	M58x2 x 35	120	12	Ø90/77 x 25			111.00	120
Performa T-R		95		wide	KIUR005809501651	REUS009500651671					120	67x20	M58x2 x 35	120	12	Ø95/82 x 25			111.00	120
Performa T-R		100		wide	KIUR006210001651	REUS010000651671					120	77x20	M62x2 x 35	120	12	Ø100/87 x 27			111.00	120
Performa T-R		105		wide	KIUR006210501651	REUS010500651671					125	77x20	M62x2 x 35	125	16	Ø105/92 x 27			116.00	125
Performa T-R		110		wide	KIUR007211001651	REUS011000651671					130	84x20	M72x2 x 45	130	16	Ø110/97 x 27			121.00	130
Performa T-R		115		wide	KIUR007211501651	REUS011500701671					136	84x20	M72x2 x 50	136	16	Ø115/101 x 29,5			126.00	136
Performa T-R		120		wide	KIUR007612001651	REUS012000751671					140	94x20	M76x2 x 55	140	16	Ø120/105 x 29,5			130.50	140
Performa T-R		125		wide	KIUR007612501651	REUS012500751671					145	94x20	M76x2 x 55	145	16	Ø125/110 x 29,5			130.50	145
Performa T-R		130		wide	KIUR008513001651	REUS013000751671					150	99x20	M85x2 x 55	150	16	Ø130/115 x 32			140.50	150
Performa T-R		135		wide	KIUR008513501651	REUS013500751671					155	99x20	M85x2 x 55	150	16	Ø135/120 x 32			140.50	150
Performa T-R		140		wide	KIUR008514001651	REUS014000751671					160	99x20	M85x2 x 55	160	16	Ø140/125 x 32			152.00	160
Performa T-R		150		wide	KIUR010515001651	REUS015000851671					170	116x20	M105x2 x 75	170	16	Ø150/133 x 35			162.00	170
Performa T-R		160		wide	KIUR010516001651	REUS016000851671					180	116x22	M105x2 x 75	180	16	Ø160/143 x 37,5			171.00	180



# Plunger PERFORMA

## T-RS:with Ring and Spring Bush



### REFERENCE

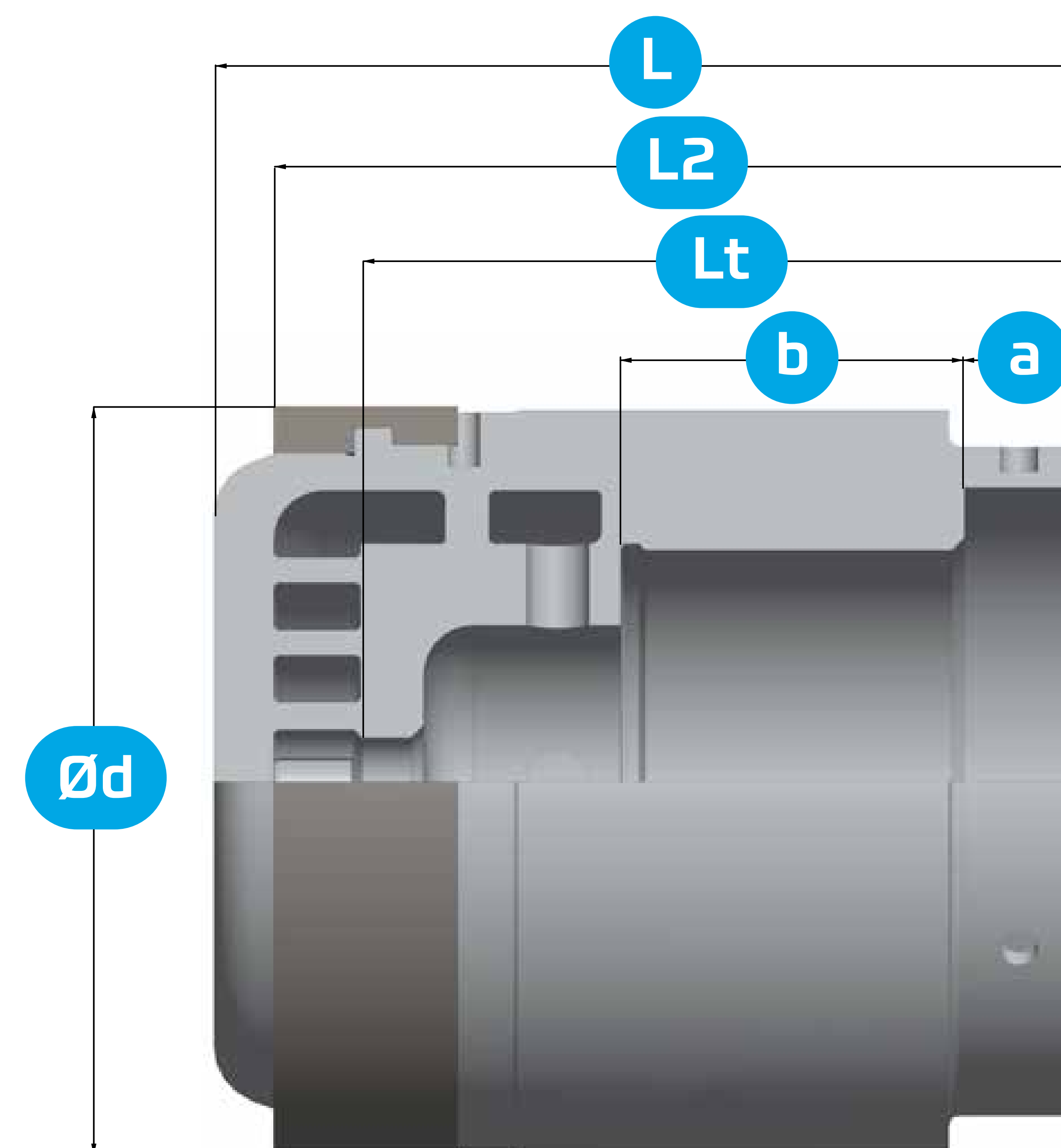
### DIMENSION

TYPE	HOLDER	D	VAC	RING WIDTH	REFERENCE					DIMENSION									
					PISTON	RING	SPRING BUSH	HOLDER	PRESSURE RING	"PISTON L"	"PISTON T x a"	"PISTON M x B"	"PISTON Lt (Tube) -2mm"	"PISTON Qt (Tube)"	RING	SPRING BUSH	HOLDER	"SYSTEM LENGTH L2"	"SYSTEM LENGTH total"
Performa T-RS		70	Vac	wide	KIURS03607001651	REUS007000501671	DRUF0700644012021			120	49x20	M36x2 x 35	102	12	Ø70/60 x 23	Ø70/64 x 30		111.00	120
Performa T-RS		75	Vac	wide	KIURS03607501651	REUS007500551671	DRUF0750694012021			120	49x20	M36x2 x 35	102	12	Ø75/64 x 23,5	Ø75/69 x 40		111.00	120
Performa T-RS		80	Vac	wide	KIURS04808001651	REUS008000551671	DRUF080074012021			120	57x20	M48x2 x 35	102	12	Ø80/69 x 23,5	Ø80/74 x 40		111.00	120
Performa T-RS		85	Vac	wide	KIURS04808501651	REUS008500551671	DRUF0850794012021			120	57x20	M48x2 x 35	102	12	Ø85/74 x 23,5	Ø85/79 x 40		111.00	120
Performa T-RS		90	Vac	wide	KIURS05809001651	REUS009000651671	DRUF0900844012021			120	67x20	M58x2 x 35	102	12	Ø90/77 x 25	Ø90/84 x 40		111.00	120
Performa T-RS		95	Vac	wide	KIURS05809501651	REUS009500651671	DRUF0950894012021			120	67x20	M58x2 x 35	102	12	Ø95/82 x 25	Ø95/89 x 40		111.00	120
Performa T-RS		100	Vac	wide	KIURS06210001651	REUS010000651671	DRUF1000925012021			120	77x20	M62x2 x 35	102	12	Ø100/87 x 27	Ø100/92 x 50		111.00	120
Performa T-RS		105	Vac	wide	KIURS06210501651	REUS010500651671	DRUF105097012021			125	77x20	M62x2 x 35	102	16	Ø105/92 x 27	Ø105/97 x 50		116.00	125
Performa T-RS		110	Vac	wide	KIURS07211001651	REUS011000651671	DRUF110102012021			130	84x20	M72x2 x 45	107	16	Ø110/97 x 27	Ø110/102 x 50		121.00	130
Performa T-RS		115	Vac	wide	KIURS07211501651	REUS011500701671	DRUF115107012021			135	84x20	M72x2 x 50	112	16	Ø115/101 x 29,5	Ø115/107 x 50		126.00	135
Performa T-RS		120	Vac	wide	KIURS07612001651	REUS012000751671	DRUF120112012021			140	94x20	M76x2 x 55	116	16	Ø120/105 x 29,5	Ø120/112 x 50		130.50	140
Performa T-RS		125	Vac	wide	KIURS07612501651	REUS012500751671	DRUF125117012021			145	94x20	M76x2 x 55	116	16	Ø125/110 x 29,5	Ø125/117 x 50		135.50	145
Performa T-RS		130	Vac	wide	KIURS08513001651	REUS013000751671	DRUF130122012021			150	99x20	M85x2 x 55	126	16	Ø130/115 x 32	Ø130/122 x 50		140.50	150
Performa T-RS		135	Vac	wide	KIURS08513501651	REUS013500751671	DRUF135122012021			155	99x20	M85x2 x 55	126	16	Ø135/120 x 32	Ø135/125 x 50		140.50	155
Performa T-RS		140	Vac	wide	KIURS08514001651	REUS014000751671	DRUF135125012021			160	99x20	M85x2 x 55	136	16	Ø140/125 x 32	Ø140/130 x 50		152.00	160
Performa T-RS		150	Vac	wide	KIURS10515001651	REUS015000851671	DRUF150140012021			170	116x20	M105x2 x 75	146	16	Ø150/133 x 35	Ø150/140 x 50		162.00	170
Performa T-RS		160	Vac	wide	KIURS10516001651	REUS016000851671	DRUF160150012021			180	116x22	M105x2 x 75	155	16	Ø160/143 x 37,5	Ø160/150 x 50		171.00	180
Performa T-RS		170	Vac	wide	KIURS12017001651	REUS017001001671	DRUF170158012021			190	129x22	M120x2 x 85	160	18	Ø170/150 x 40	Ø170/158 x 90		180.50	190
Performa T-RS		180	Vac	wide	KIURS12018001651	REUS018001001671	DRUF180168012021			200	129x22	M120x2 x 85	170	18	Ø180/160 x 43	Ø180/168 x 90		190.50	200
Performa T-RS		190	Vac	wide	KIURS12019001651	REUS019001001671	DRUF190178012021			210	129x22	M120x2 x 85	174	18	Ø190/170 x 43	Ø190/178 x 90		200.50	210
Performa T-RS		200	Vac	wide	KIURS13020001651	REUS020001001671	DRUF200188012021			220	139x24	M130x2 x 85	183	18	Ø200/180 x 43	Ø200/188 x 90		210.50	220
Performa T-RS		210	Vac	wide	KIURS13021001651	REUS021001001671	DRUF210188012021			230	139x24	M130x2 x 85	192	20	Ø210/190 x 43	Ø210/198 x 90		220.50	230
Performa T-RS		220	Vac	wide	KIURS14022001651	REUS022001001671	DRUF220208090201			240	149x24	M140x2 x 85	201	20	Ø220/200 x 44	Ø220/208 x 90		230.50	240
Performa T-RS		230	Vac	wide	KIURS14023001651	REUS023001001671	DRUF230216100201			250	149x24	M140x2 x 85	210	22	Ø230/210 x 44	Ø230/216 x 100		240.50	250
Performa T-RS		240	Vac	wide	KIURS15021001651	REUS024001001671	DRUF240226100201			260	159x24	M150x2 x 85	219	22	Ø240/220 x 44	Ø240/226 x 100		250.50	260
Performa T-RS		250	Vac	wide	KIURS15022001651	REUS025001101671	DRUF250236110201			270	159x24	M150x2 x 85	228	22	Ø250/228 x 47	Ø250/236 x 110		260.50	270
Performa T-RS		260	Vac	wide	KIURS15023001651	REUS026001101671	DRUF260246110201			280	159x24	M150x2 x 85	237	22	Ø260/238 x 47	Ø260/246 x 110		270.50	280



# Plunger PERFORMA

## T-R/BN: with Ring and Bullet Nose



### REFERENCE

### DIMENSION

TYPE	HOLDER	D	VAC	RING WIDTH	REFERENCE					DIMENSION										
					PISTON	RING	SPRING BUSH	HOLDER	PRESSURE RING	"PISTON L"	"PISTON T x a"	"PISTON M x B"	"PISTON Lt (Tube) -2mm"	"PISTON Qt (Tube)"	RING	SPRING BUSH	HOLDER	"SYSTEM LENGTH L2"	"SYSTEM LENGTH total"	
Performa T-R-BN		120		wide	KKUR007612001651	REUS012000751671					140	94x20	M76x2 x 55	140	16	Ø120/105 x 29,5			123.00	140
Performa T-R-BN		125		wide	KKUR007612501651	REUS012500751671					145	94x20	M76x2 x 55	145	16	Ø125/110 x 29,5			128.00	145
Performa T-R-BN		130		wide	KKUR008513001651	REUS013000751671					150	99x20	M85x2 x 55	150	16	Ø130/115 x 32			133.00	150
Performa T-R-BN		135		wide	KKUR008513501651	REUS013500751671					150	99x20	M85x2 x 55	155	16	Ø135/120 x 32			133.00	155
Performa T-R-BN		140		wide	KKUR003614001651	REUS014000751671					160	99x20	M85x2 x 55	160	16	Ø140/125 x 32			143.00	160
Performa T-R-BN		150		wide	KKUR010515001651	REUS015000851671					170	116x20	M105x2 x75	170	16	Ø150/133 x 35			153.00	170
Performa T-R-BN		160		wide	KKUR010516001651	REUS016000851671					180	116x22	M105x2 x75	180	16	Ø160/143 x 37,5			163.00	180
Performa T-R-BN		170		wide	KKUR012017001651	REUS017001001671					190	116x20	M120x2 x 85	190	16	Ø170/150 x 40			153.00	190
Performa T-R-BN		180		wide	KKUR012018001651	REUS018001001671					200	116x22	M120x2 x 85	200	16	Ø180/160 x 43			163.00	200
Performa T-R-BN		190		wide	KKUR012019001651	REUS019001001671					210	129x22	M120x2 x 85	210	18	Ø190/170 x 43			173.00	210
Performa T-R-BN		200		wide	KKUR012020001651	REUS020001001671					220	129x22	M120x2 x 85	220	18	Ø200/180 x 43			183.00	220
Performa T-R-BN		210		wide	KKUR012021001651	REUS021001001671					230	129x22	M120x2 x 85	210	18	Ø210/190 x 43			193.00	230
Performa T-R-BN		220		wide	KKUR013022001651	REUS022001001671					240	139x24	M130x2 x 85	220	18	Ø220/200 x 44			203.00	240
Performa T-R-BN		230		wide	KKUR013023001651	REUS023001001671					250	139x24	M130x2 x 85	230	20	Ø230/210 x 44			213.00	250
Performa T-R-BN		240		wide	KKUR014024001651	REUS024001001671					260	149x24	M140x2 x 85	240	20	Ø240/220 x 44			223.00	260
Performa T-R-BN		250		wide	KKUR014025001651	REUS025001101671					270	149x24	M140x2 x 85	250	22	Ø250/228 x 47			233.00	270
Performa T-R-BN		260		wide	KKUR015026001651	REUS026001101671					280	159x24	M150x2 x 85	260	22	Ø260/238 x 47			243.00	280





 **Plunger** BY HTS

[www.htsgroup.com](http://www.htsgroup.com)